

Plastic Locker Wall Mount Installation Guide

In order to maximize the appearance and performance of your lockers, we suggest that you follow these instructions carefully and completely.



Tools Required:

Level
Tape measure
Marker / Pencil
#2 Screwdriver (Philips or Flathead)
1/4" drill bit for wall anchors
Electric drill
1/8" drill bit for rivets (optional)
Riveting tool (optional)

Fittings Required:

Mounting bars 1 1/2" x 1/2"
(wood, plastic, stainless, aluminum)
Plastic Wall anchors (1/4" pilot hole)
1" x #10 stainless screws (wall anchors)
#10 Flat Washers (wall anchor screws)
====
5/8" x #10 diameter self tapping screws
(4 per locker – 12", 18", 36")
(8 per locker – 60")
====
1/8" x 1/2" rivets
#5 Flat Washers
(riveting lockers is optional)

Locker Configurations:

12" Flat	(12"H x 12"W x 15"D)
12" Slope	(22.5"H x 12"W x 15"D)
18" Flat	(18"H x 15"W x 15"D)
18" Slope	(28.5"H x 15"W x 15"D)
36" Flat	(36"H x 12"W x 15"D)
36" Slope	(46.5H x 12"W x 15"D)
60" Slope	(72"H x 15"W x 18"D)

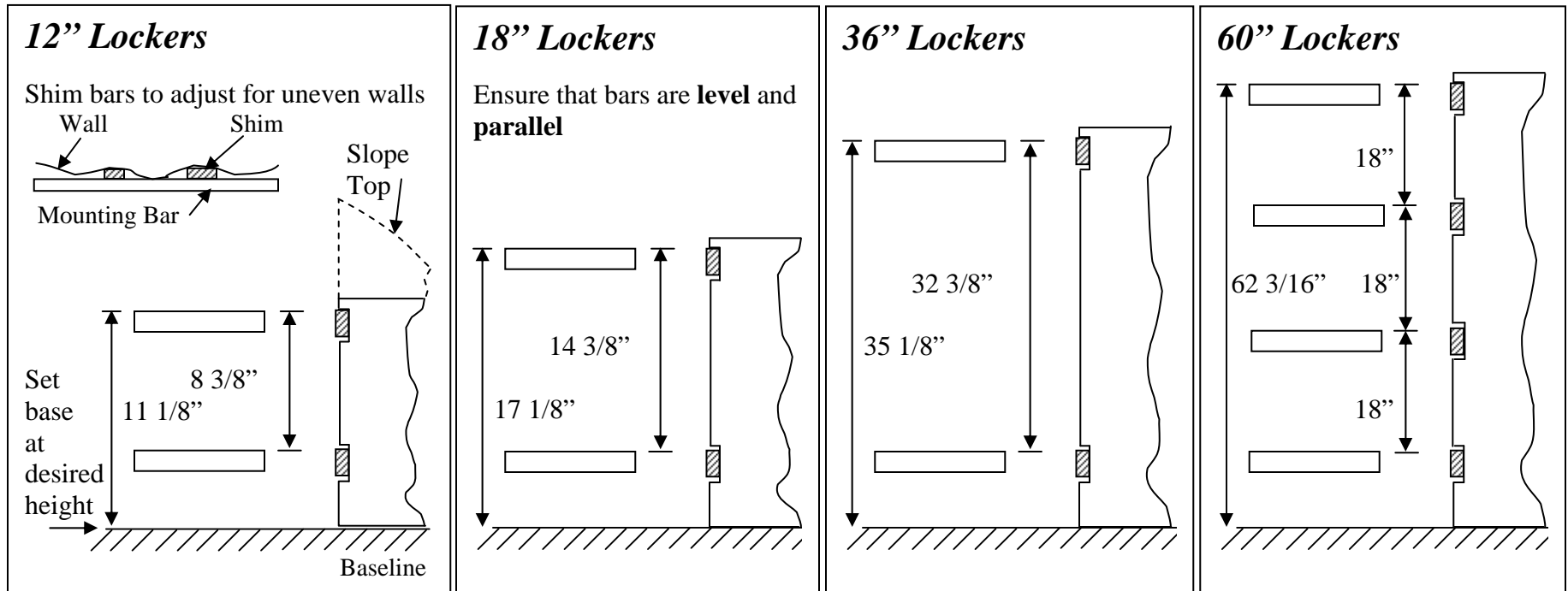
Since lockers can vary in height within the tolerance ranges given, larger units should not be installed directly next to smaller units. In order to ensure a more level installation, pre-align the lockers for a given assembly row by standing them up on the floor next to each other. They can then be re-arranged by height in either ascending or descending order. Installing them in this manner will provide the best visual effect (smooth top line).

Typical height variations per opening:	12" - +/- 1/16"
	18" - +/- 3/32"
	36" - +/- 3/16"
	72" - +/- 3/8" (height of 60" at front)
Typical depth variations per opening:	15" - +/- 1/16" (front to back)

Plastic Locker Wall Mount Installation Guide

In order to maximize the appearance and performance of your lockers, we suggest that you follow these instructions carefully and completely.

① Install Mounting Bars



The "Baseline" is simply the level of the bottom of the first locker installed. You should always start with the tallest locker in the row you are installing. When installing lockers where cleanability and inspection may be a concern, you may want to consider to locating the baseline a given amount (4-6") above the floor or pad where they are being installed.

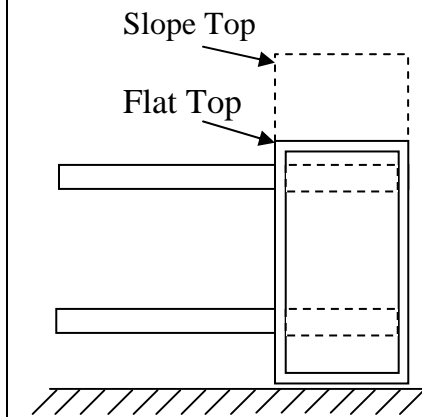
Baseline heights shown are with lockers flat on the floor and mounting bars centered in mounting channels for maximum adjustability. Mounting bars should always be centered in channels regardless of baseline height of installation.

Plastic Locker Wall Mount Installation Guide

In order to maximize the appearance and performance of your lockers, we suggest that you follow these instructions carefully and completely.

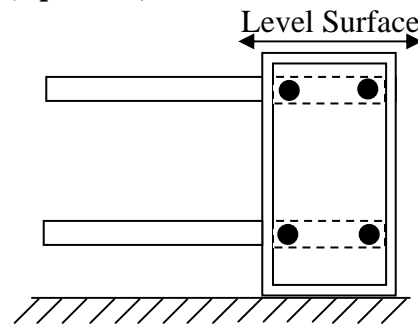
② Mount 1st Locker

Set 1st Locker in place over Mounting Bars



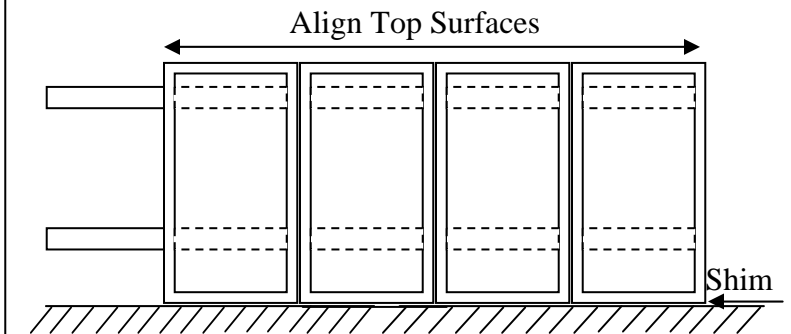
③ Secure Locker to Bars

Fix Locker to Mounting Bars with Stainless Screws / Washers
(4 per 12", 18", 36")
(8 per 60")



④ Complete Lowest Row

Align Lockers Along Top Edge - Shim Bottom of Lockers as Required



Position the 1st locker (tallest) over the mounting bars at one end of row (frame 2). Adjust the height to the desired baseline (frame 1), and attach with stainless steel screws and washers (frame 3), ensuring the top surface of the locker is level, and the back of the locker is flat against the wall. If you pre-drill the screw holes, be sure to remove any drill shavings before installing the screws.

Install the next locker in the same manner, aligning the top surfaces (frame 4) to ensure a level top line. Check both the top line, the fit at front edge, and that the backs are flat against the wall (frame 5), before installing hardware.

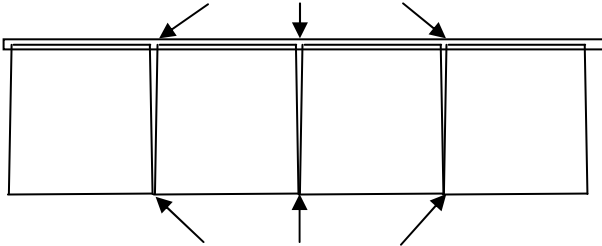
Plastic Locker Wall Mount Installation Guide

In order to maximize the appearance and performance of your lockers, we suggest that you follow these instructions carefully and completely.

⑤ Check for Fit at Front Edge

Plan View

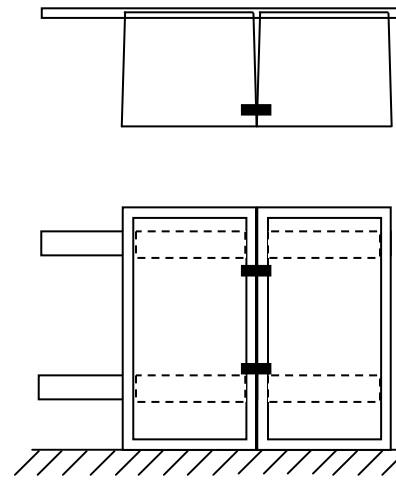
Lockers are slightly tapered to the rear – a slight gap will appear between them at the back



Ensure lockers are touching at front edge, not rear – back of lockers should be flat against wall
Forcing lockers together may cause doors to stick

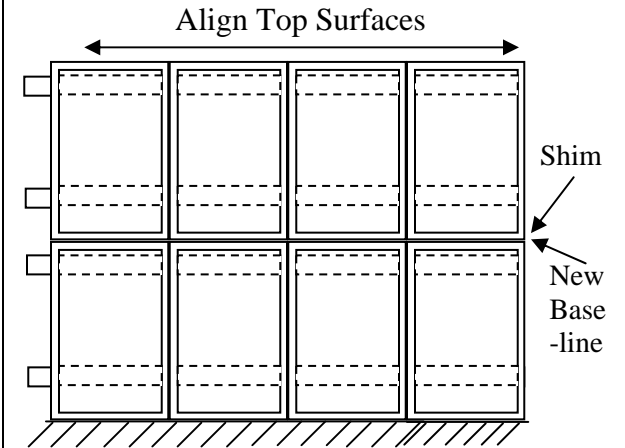
⑥ Rivet Together

(Optional)



⑦ Install Upper Row

Continue with Upper Row – Level Tops of Lockers



Once the bottom row is completely installed, bodies may be riveted together (frame 6) for a more solid installation. Do not force lockers together (frame 5) as this may cause the doors to stick.

Continue the installation in the same manner with the top row, starting with the tallest locker, and aligning the top surfaces, with shims as required to accommodate variations in height (frame 7). Also align the edges of the fronts, to ensure consistency of the vertical seams.

If shims are undesirable, simply rest the top row directly on top of the lower row – however, some variation in the top line may occur. Once the top row is completed, it is again optional to rivet the bodies together (frame 6) as per the lower row. You may also rivet the top row to the bottom row through the bottoms of the top row of lockers if desired. If you encounter any problems, please contact your Remcon Representative for clarification and / or assistance.