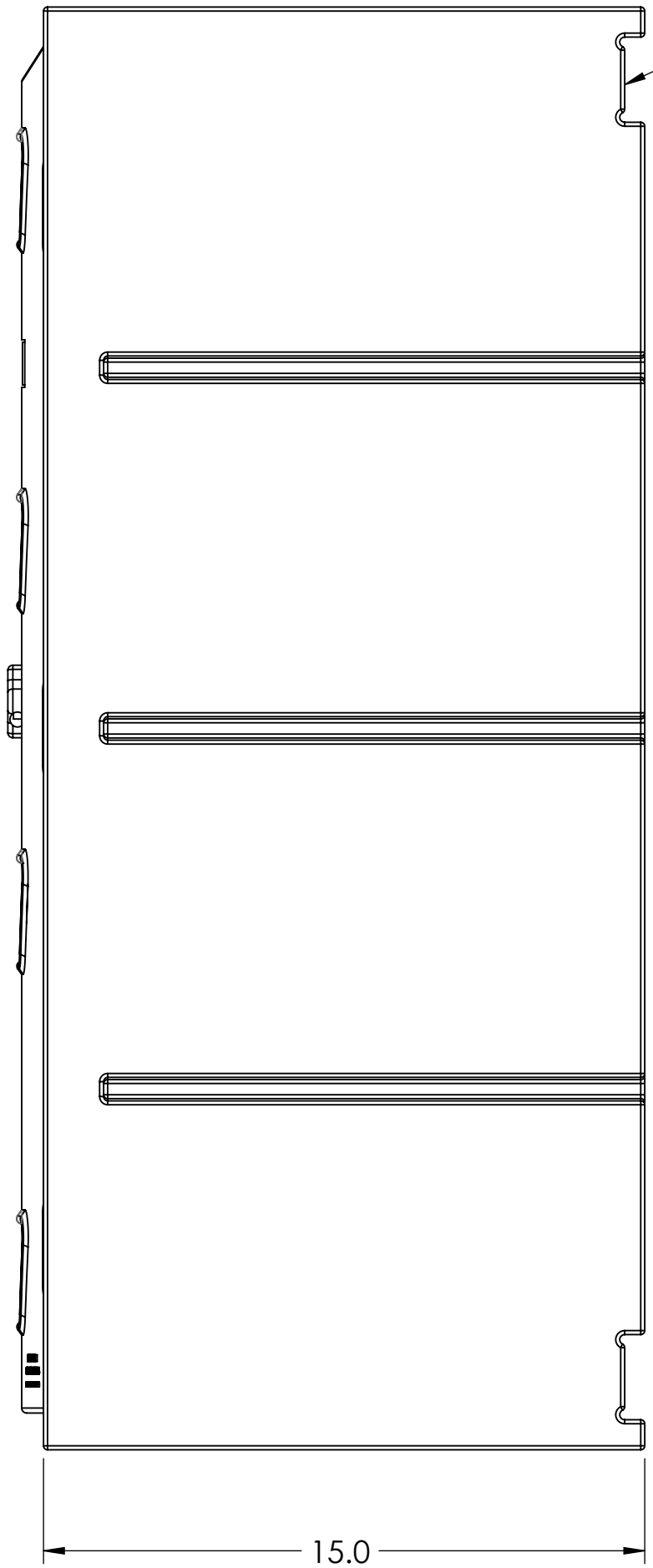
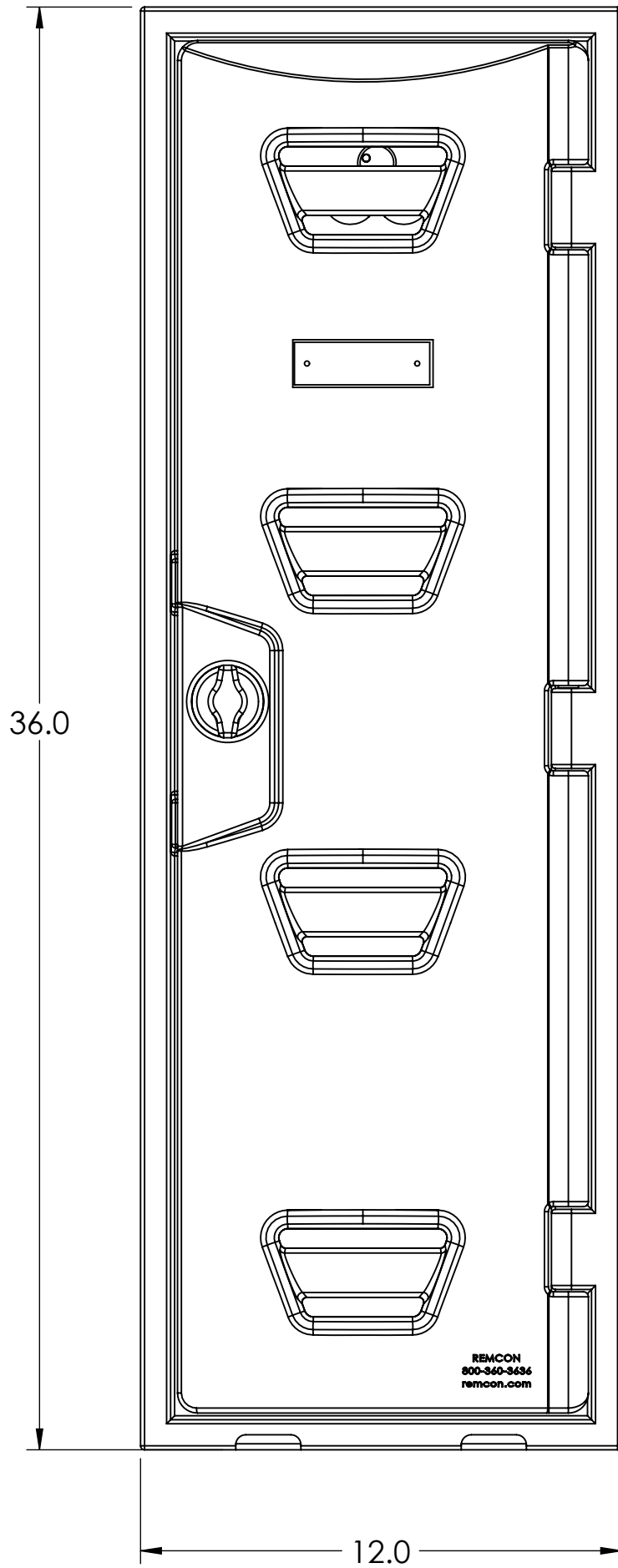
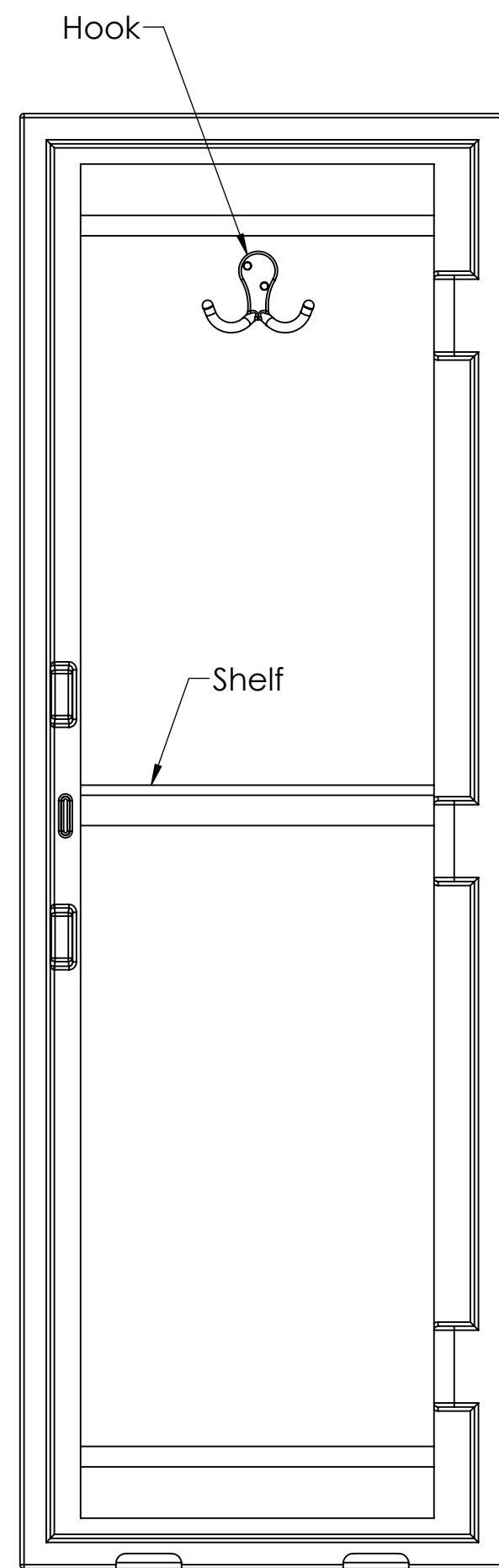


REV. 01
Ass'd 36 gen Flat spec ben Mod

REVISIONS						
ECR/ECN	REV.	DESCRIPTION	DATE	DRWN	CHK'D	APPRV
	A	Drawing Created	10/17/2023	BRS	--	---



Wall Mounting Bar Recess (Typ. 2 Plcs)



Air Vent Through Door (Typ. 4 Plcs)

Blank Nameplate

Door Handle w/ Through Hole for Padlock



Drain Cut Out (Typ. 2 Plcs)

- Notes:
1. Drawing shows finished locker
 2. All corners and edges have radii
 3. Refer to B.O.M. for componet details

<p>PROPRIETARY AND CONFIDENTIAL</p> <p>THE INFORMATION CONTAINED IN THIS DRAWING IS THE SOLE PROPERTY OF REMCON PLASTICS, INC. ANY REPRODUCTION IN PART OR AS A WHOLE WITHOUT THE WRITTEN PERMISSION OF REMCON PLASTICS, INC. IS PROHIBITED.</p> <p>THIRD ANGLE PROJECTION</p>	<p>UNLESS OTHERWISE SPECIFIED, ALL DIMENSIONS ARE IN INCHES</p> <p>TOLERANCES:</p> <table border="1"> <thead> <tr> <th>DECIMAL</th> <th>INCH</th> <th>(MM)</th> </tr> </thead> <tbody> <tr> <td>.X</td> <td>±.1</td> <td>(±2.5)</td> </tr> <tr> <td>.XX</td> <td>±.01</td> <td>(±.25)</td> </tr> <tr> <td>.XXX</td> <td>±.005</td> <td>(±.13)</td> </tr> </tbody> </table> <p>FRACTIONAL ANGULAR SURF. FINISH</p> <p>±1/32 ±1/2° 63/</p> <p>REMOVE ALL BURRS AND BREAK SHARP CORNERS .01/.02, MIN/MAX</p>	DECIMAL	INCH	(MM)	.X	±.1	(±2.5)	.XX	±.01	(±.25)	.XXX	±.005	(±.13)	<p>CAD GENERATED DRAWING, DO NOT MANUALLY UPDATE</p> <table border="1"> <thead> <tr> <th>APPROVALS</th> <th>DATE</th> </tr> </thead> <tbody> <tr> <td>DRAWN BRS</td> <td>10/17/2023</td> </tr> <tr> <td>CHECKED ---</td> <td>---</td> </tr> <tr> <td>APPRV ---</td> <td>---</td> </tr> </tbody> </table> <p>MATERIAL:</p>	APPROVALS	DATE	DRAWN BRS	10/17/2023	CHECKED ---	---	APPRV ---	---	<p>Remcon Plastics Inc. 208 Chestnut Street, Reading Pa. 19602</p>
	DECIMAL	INCH	(MM)																				
	.X	±.1	(±2.5)																				
	.XX	±.01	(±.25)																				
.XXX	±.005	(±.13)																					
APPROVALS	DATE																						
DRAWN BRS	10/17/2023																						
CHECKED ---	---																						
APPRV ---	---																						
<p>12X15X36 PLASTIC LOCKER (FLAT TOP)</p>		<p>SIZE DWG. NO. REV. c 01570123600X027 A</p>																					
<p>SCALE: 1:4 DO NOT SCALE DRAWING</p>		<p>SHEET 1 OF 1</p>																					