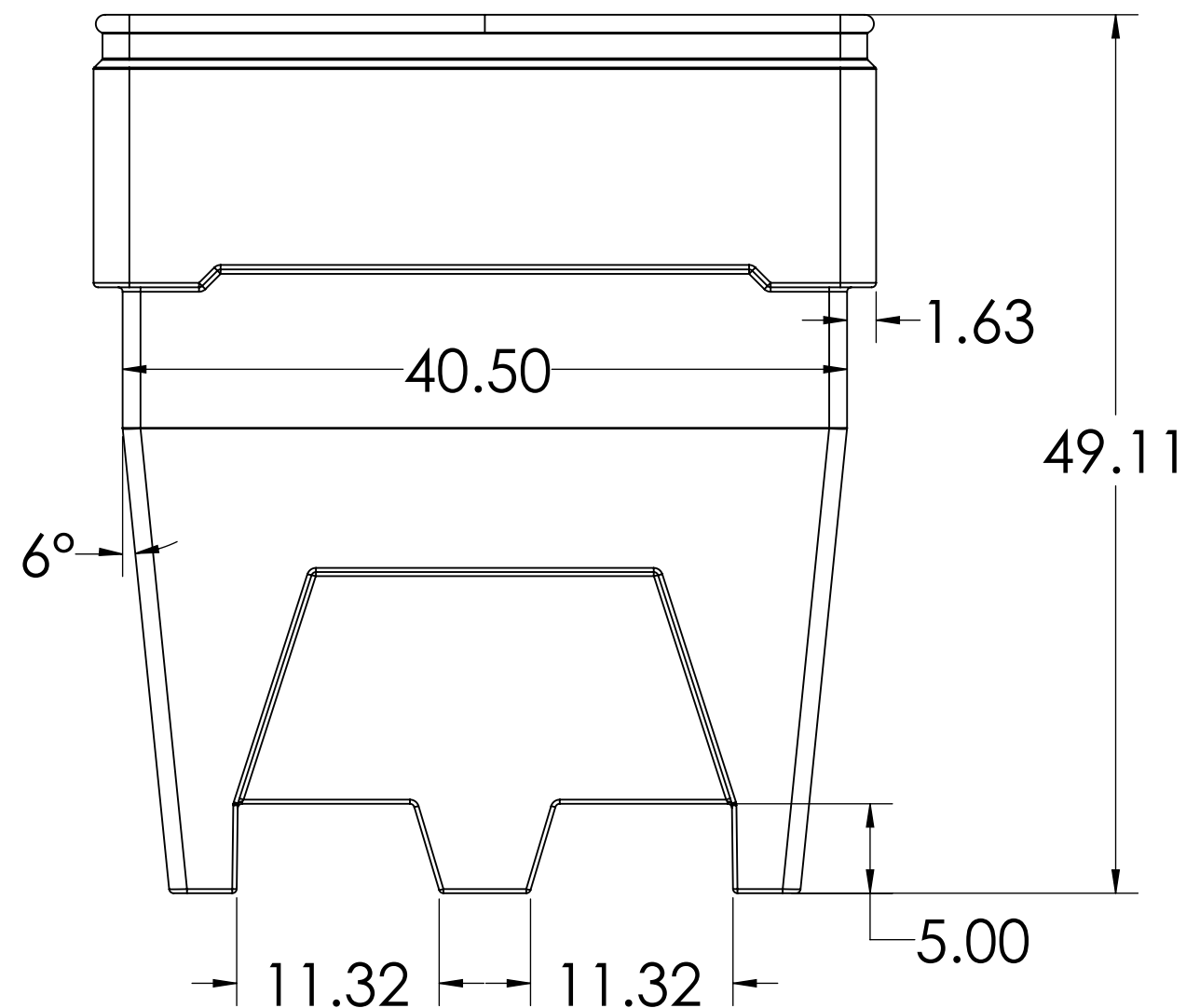
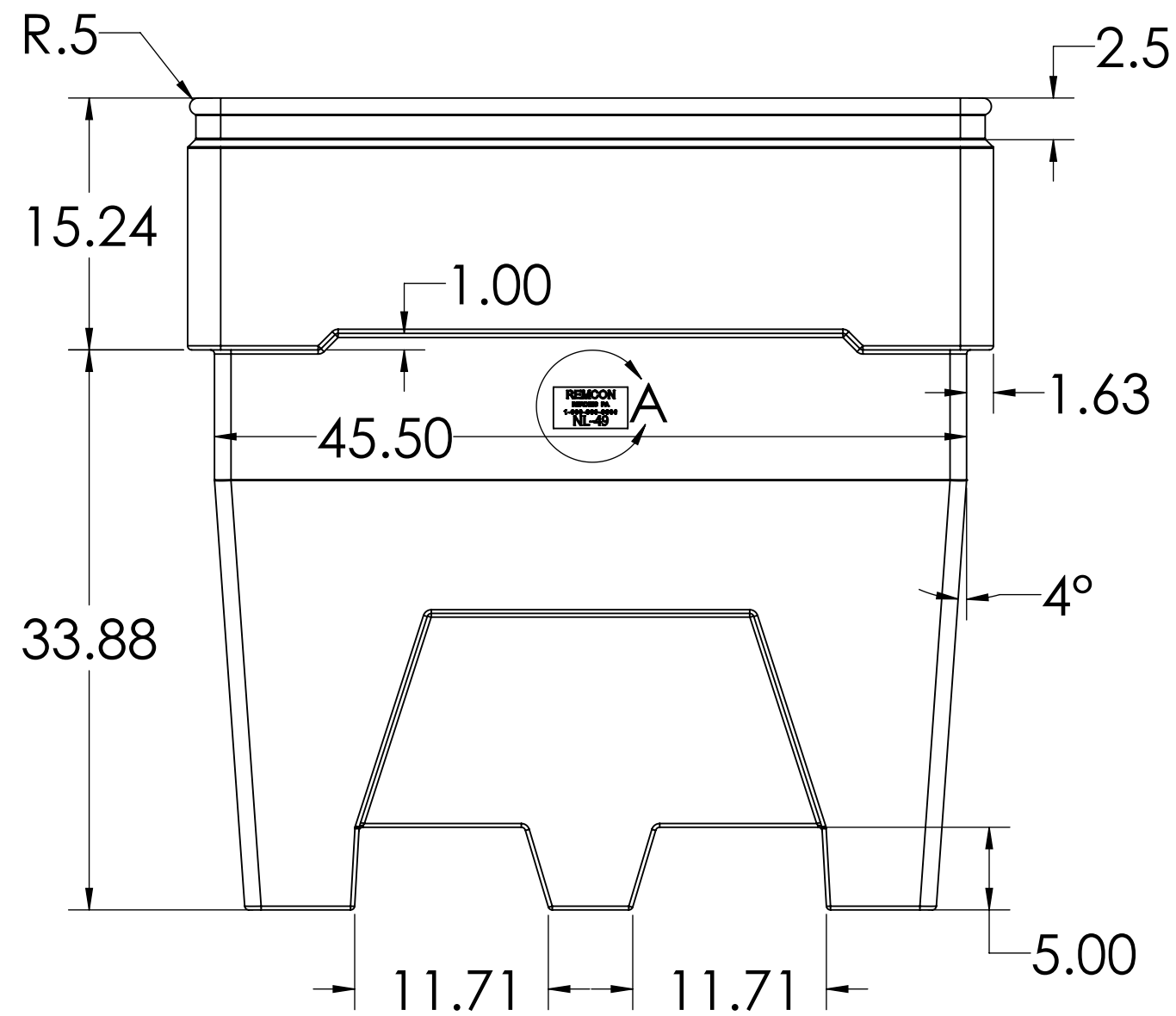
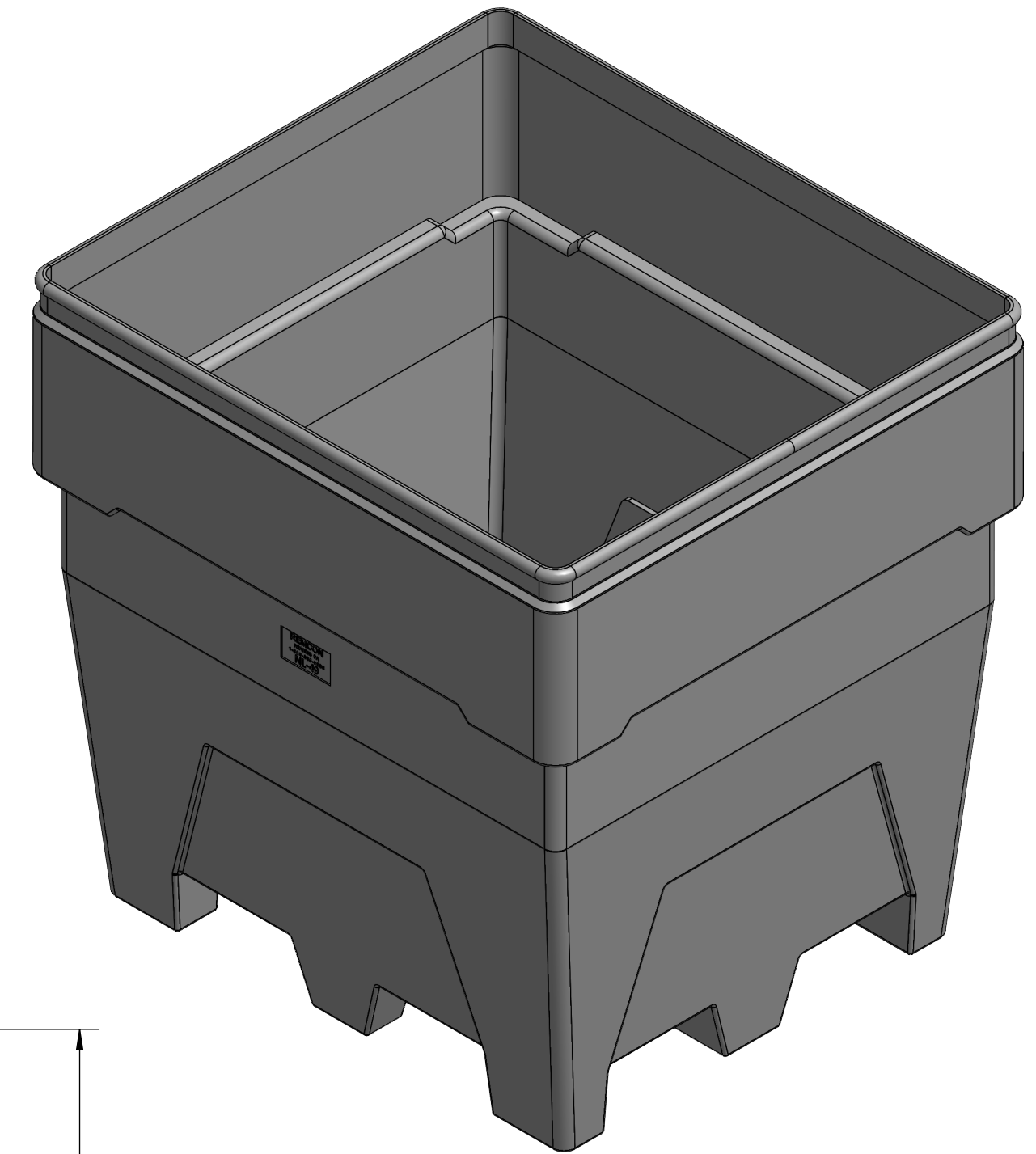
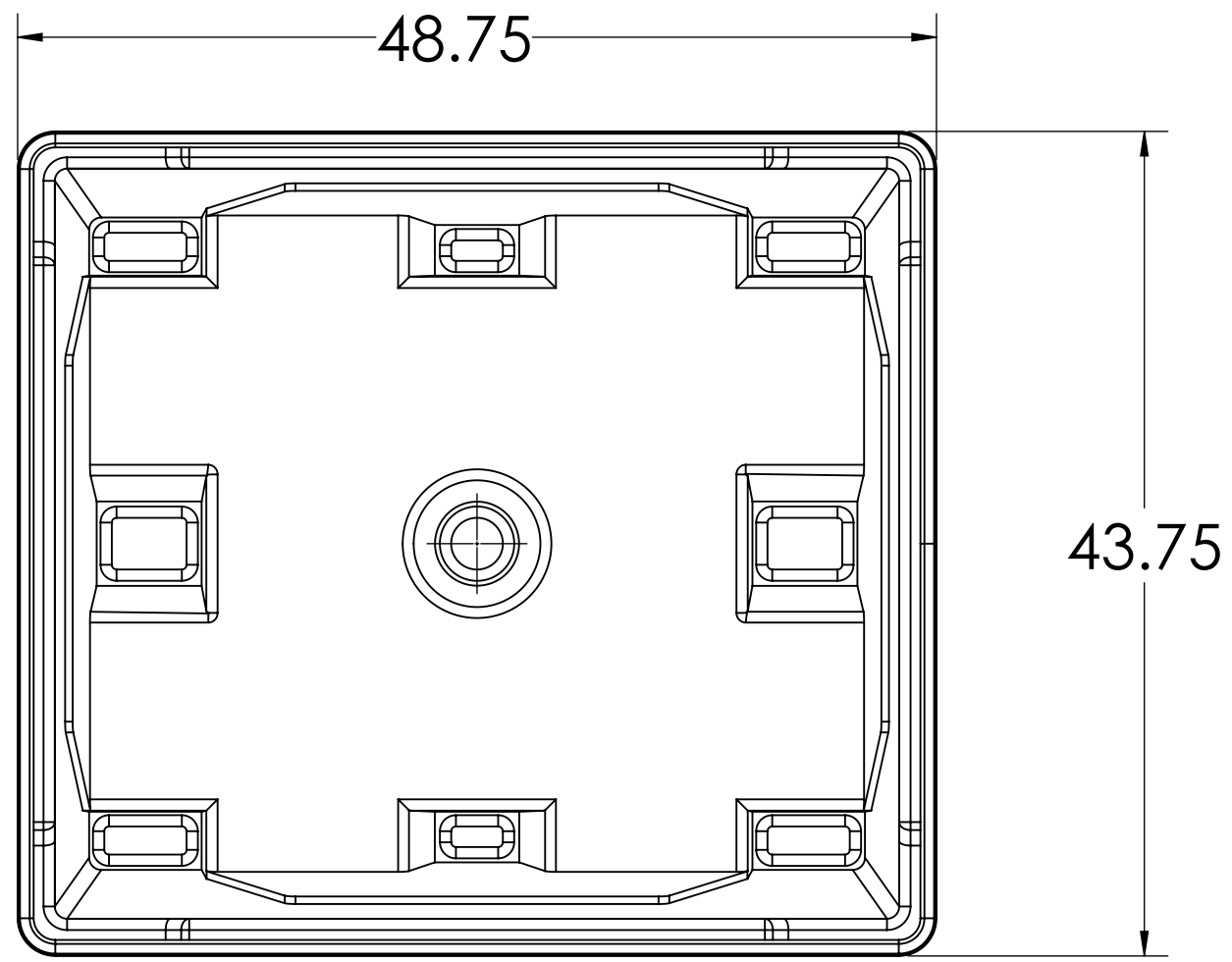



REVISIONS					
ERN/ECN	ZONE	REV.	DESCRIPTION	DATE	APPROVED
0473		A	Release Drawing	3/8/2022	BRS



DETAIL A  
SCALE 1 : 2

COMMENTS: - <b>PROPRIETARY AND CONFIDENTIAL</b> THE INFORMATION CONTAINED IN THIS DRAWING IS THE SOLE PROPERTY OF REMCON PLASTICS, INC. ANY REPRODUCTION IN PART OR AS A WHOLE WITHOUT THE WRITTEN PERMISSION OF REMCON PLASTICS, INC IS PROHIBITED. Address: Remcon Plastics Inc. 208 Chestnut Street, Reading Pa. 19602	PROJECT # -	MATERIAL	TITLE:	 <b>BIN, NL 49</b> DWG. NO. 013604950002850 SIZE C SHEET 1 OF 1 REV	
	UNLESS OTHERWISE SPECIFIED:	FINISH			
	DIMENSIONS ARE IN INCHES TOLERANCES: FRACTIONAL ±1/64 ANGULAR: ±1/2 DEG TWO PLACE DECIMAL ±.01 THREE PLACE DECIMAL ±.005	NAME	DATE		
	DO NOT SCALE DRAWING	DRAWN BY: BRS	05/05/2020		
	APPROVED BY:				