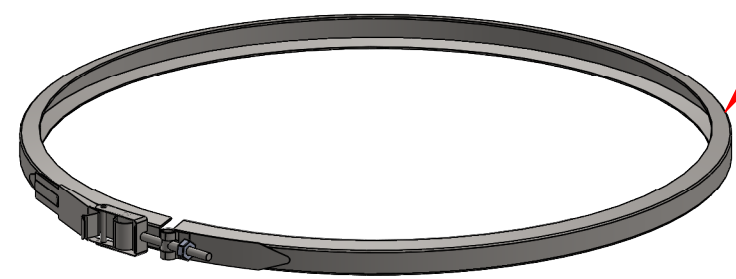


4

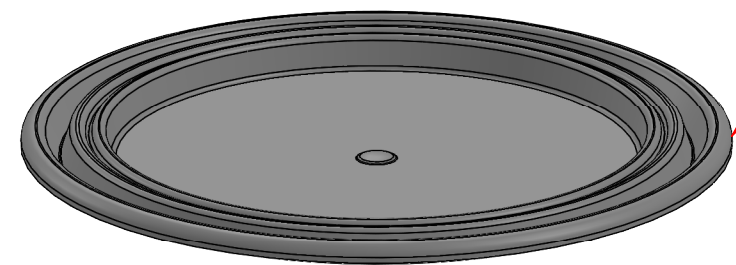
3

2

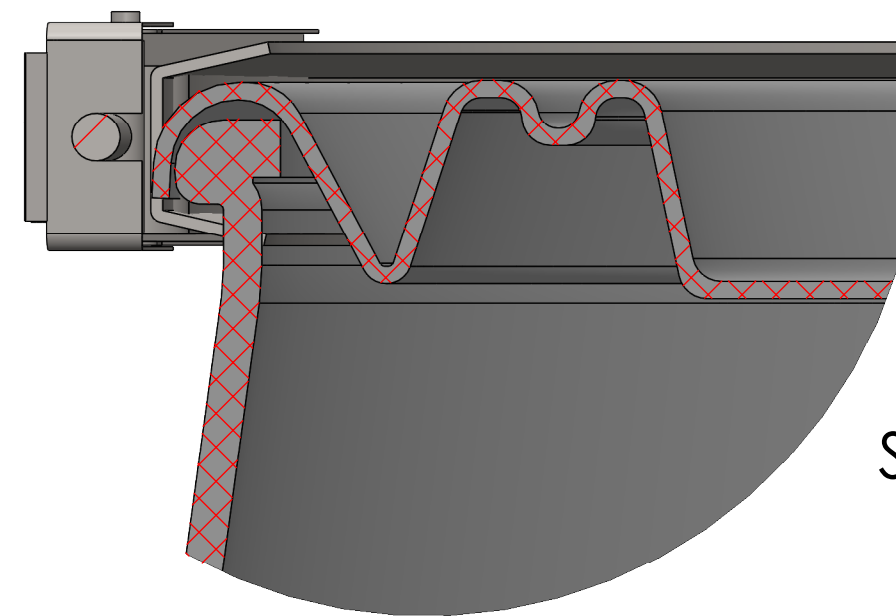
1



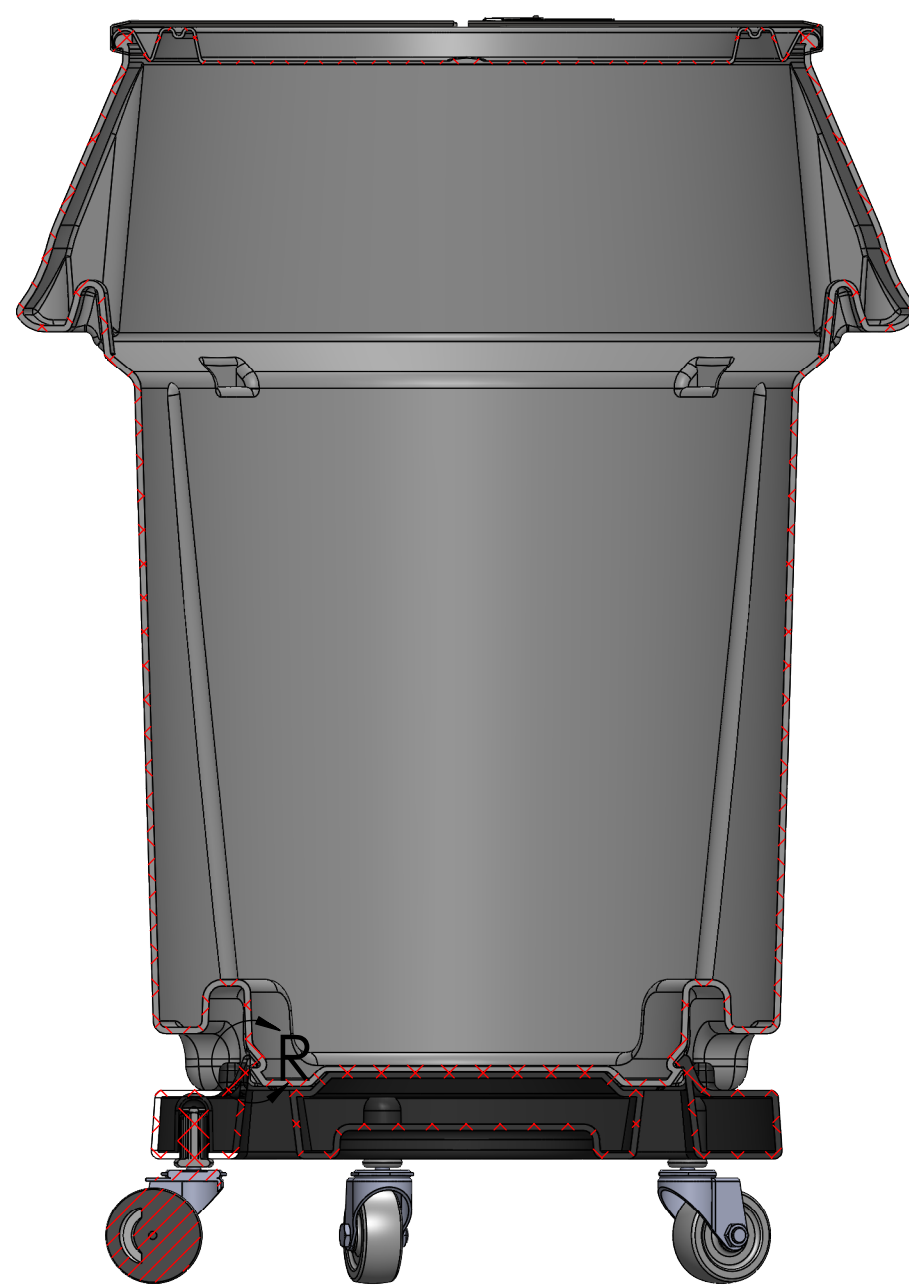
Locking Ring 051452152006000



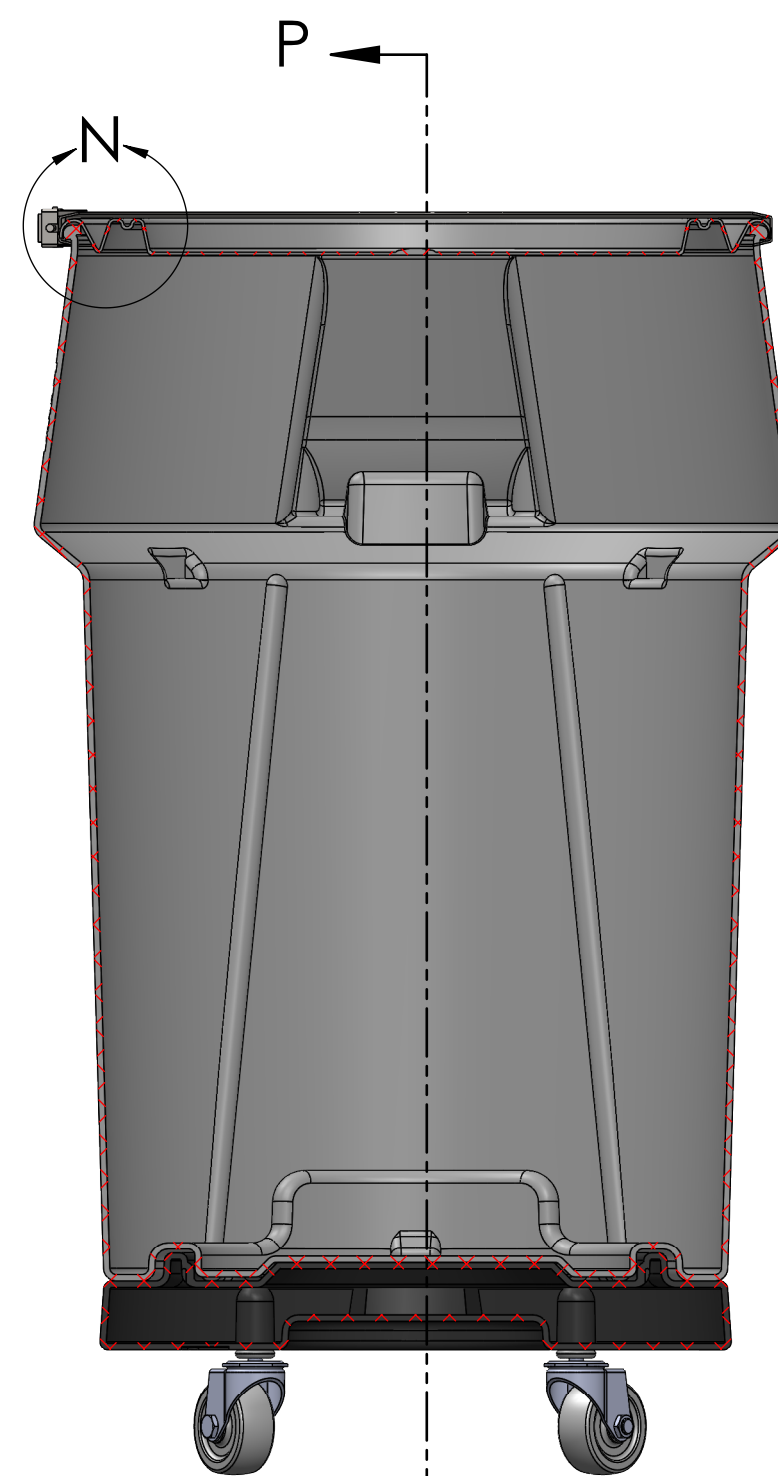
051452150007000 21.5 lid



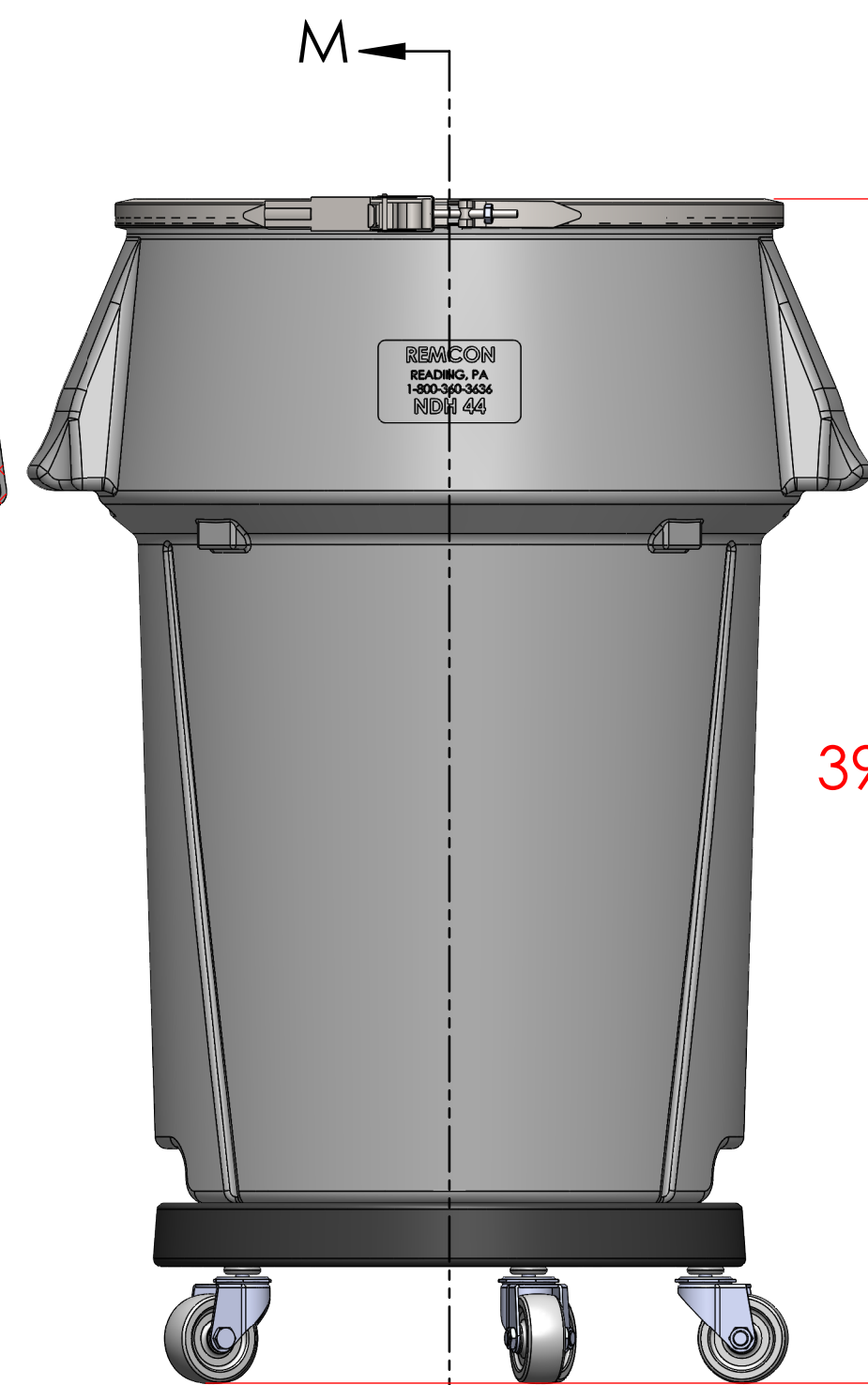
DETAIL N
SCALE 1 : 1



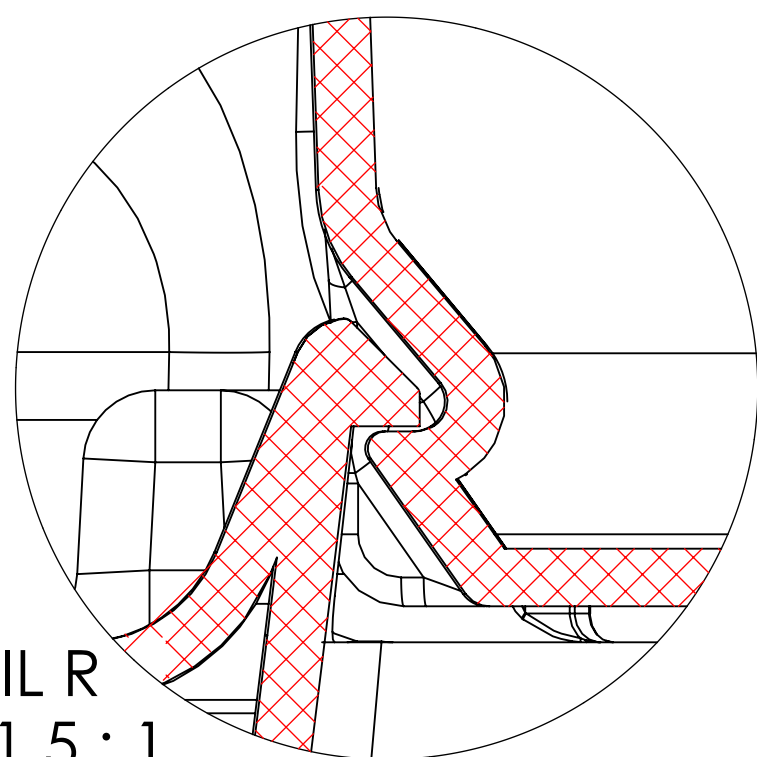
SECTION P-P



SECTION M-M



39.44



DETAIL R
SCALE 1.5 : 1

REMCN 208 Chestnut Street
PLASTICS, INCORPORATED Reading Pa, 19602

DWG. NO.

SIZE C	SHEET 5 OF 5	REV A
---------------	--------------	--------------

4

3

2

1