

DETAIL A
SCALE 1 : 1

PROPRIETARY AND CONFIDENTIAL
THE INFORMATION CONTAINED IN THIS DRAWING IS THE SOLE PROPERTY OF REMCON PLASTICS, INC. ANY REPRODUCTION IN PART OR AS A WHOLE WITHOUT THE WRITTEN PERMISSION OF REMCON PLASTICS, INC IS PROHIBITED.

UNLESS OTHERWISE SPECIFIED:
DIMENSIONS ARE IN INCHES
TOLERANCES:
DECIMAL +/-0.010 IN/IN
FRACTIONS N/A
ANGLES +/-1°

MATERIAL
PE Low/Medium Density
FINISH
DO NOT SCALE DRAWING

NAME	BRS	DATE	10/14/2020
DRAWN BY:	BRS	DATE	10/14/2020
APPROVED BY:			

TITLE:	NDH 44
WEIGHT:	
SCALE:	1:6

REMCON 208 Chestnut Street
PLASTICS, INCORPORATED Reading Pa, 19602

DWG. NO.	SIZE	C	SHEET 1 OF 5	REV	A
----------	------	---	--------------	-----	---

4

3

2

1

D

D

C

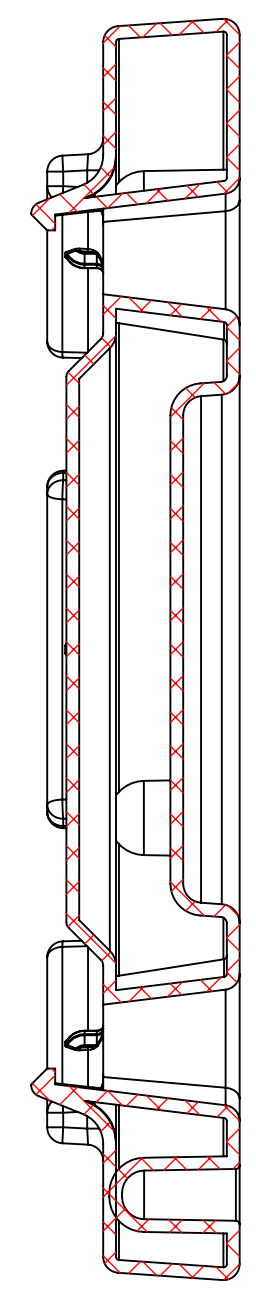
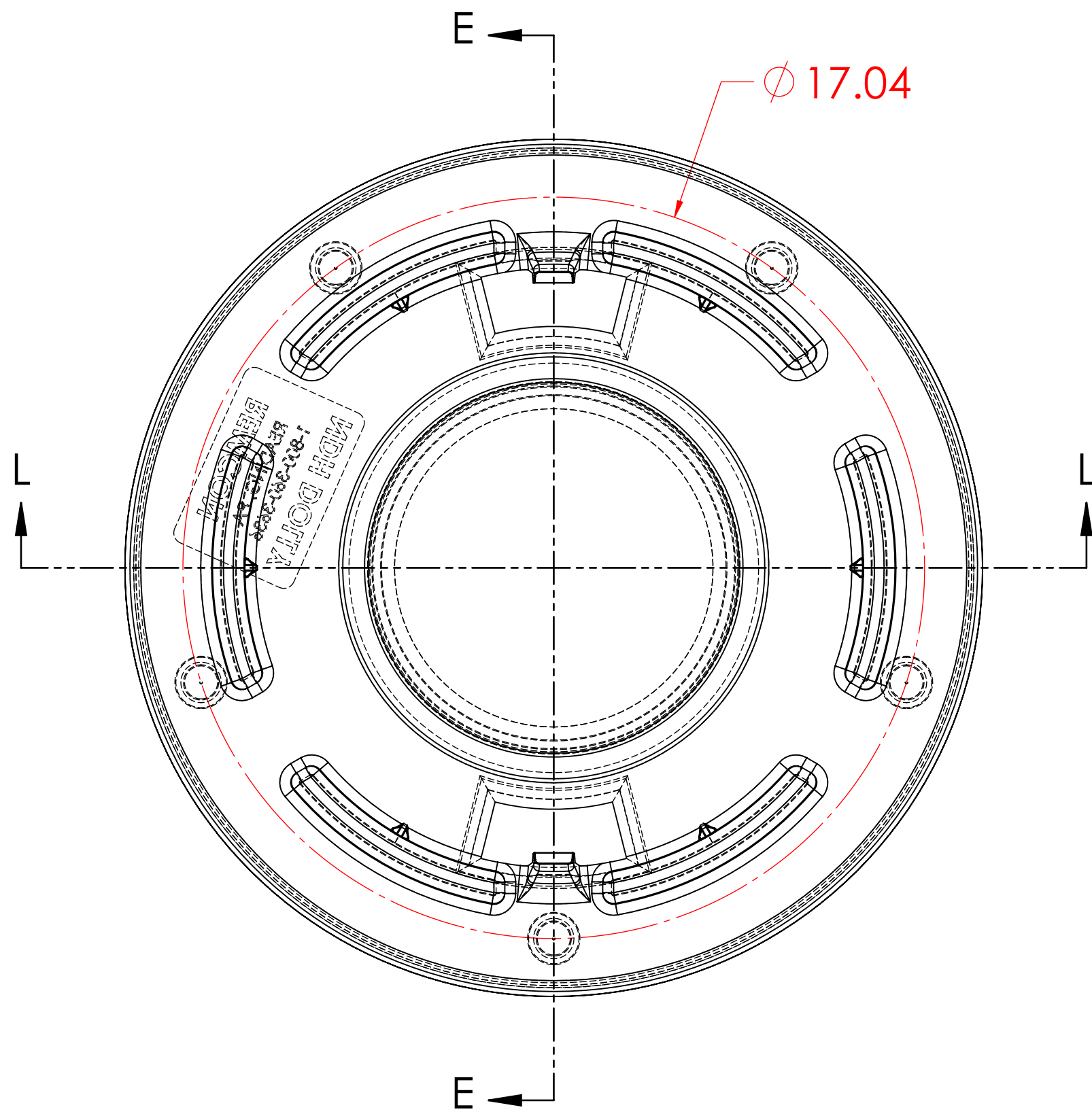
C

B

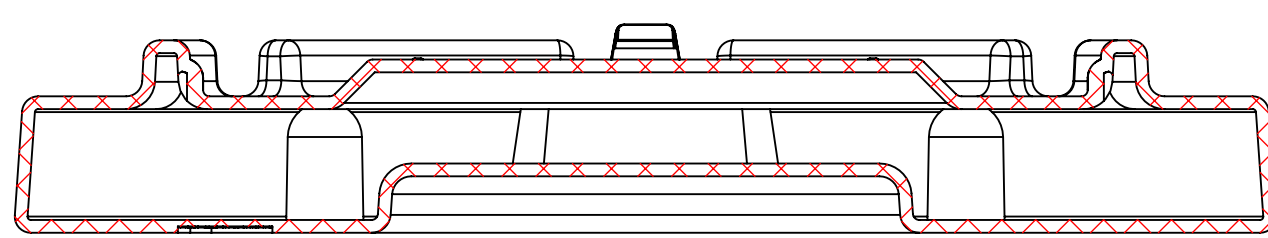
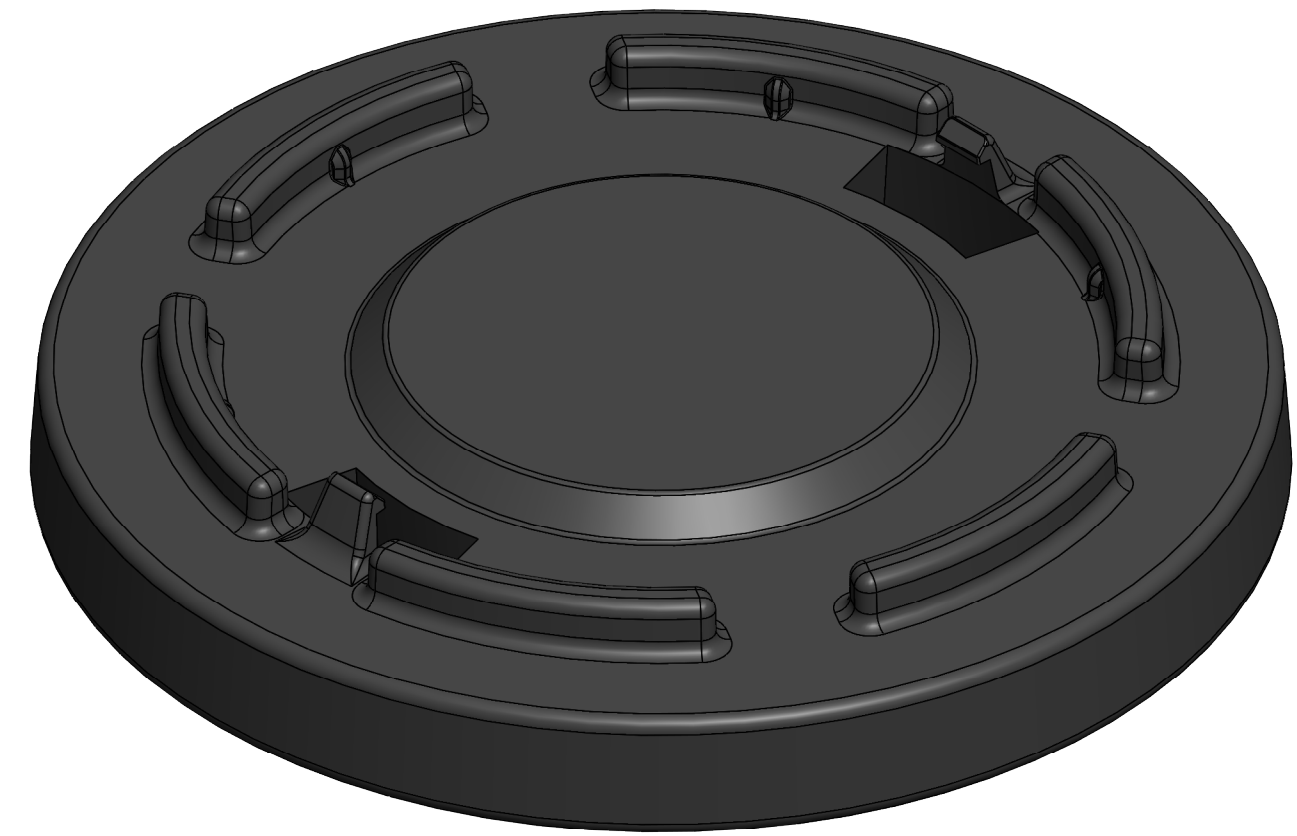
B

A

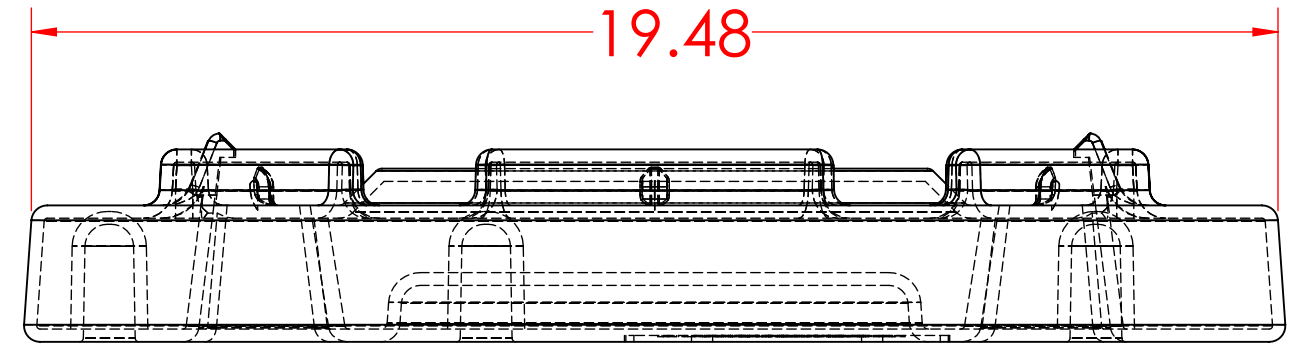
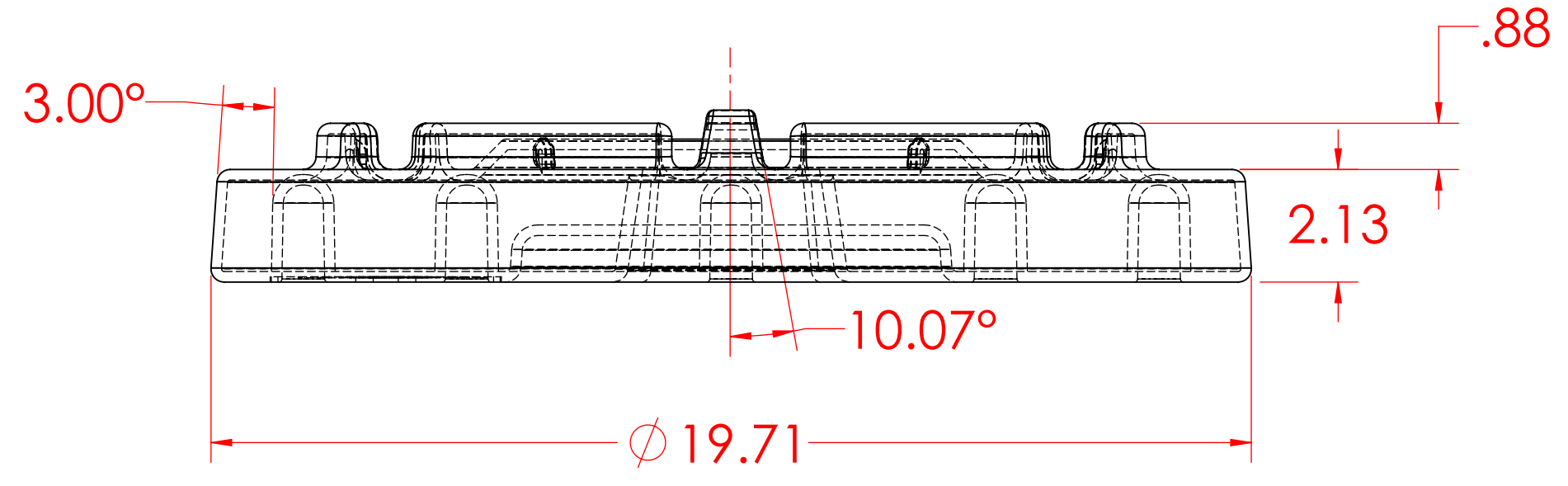
A



SECTION E-E



SECTION L-L



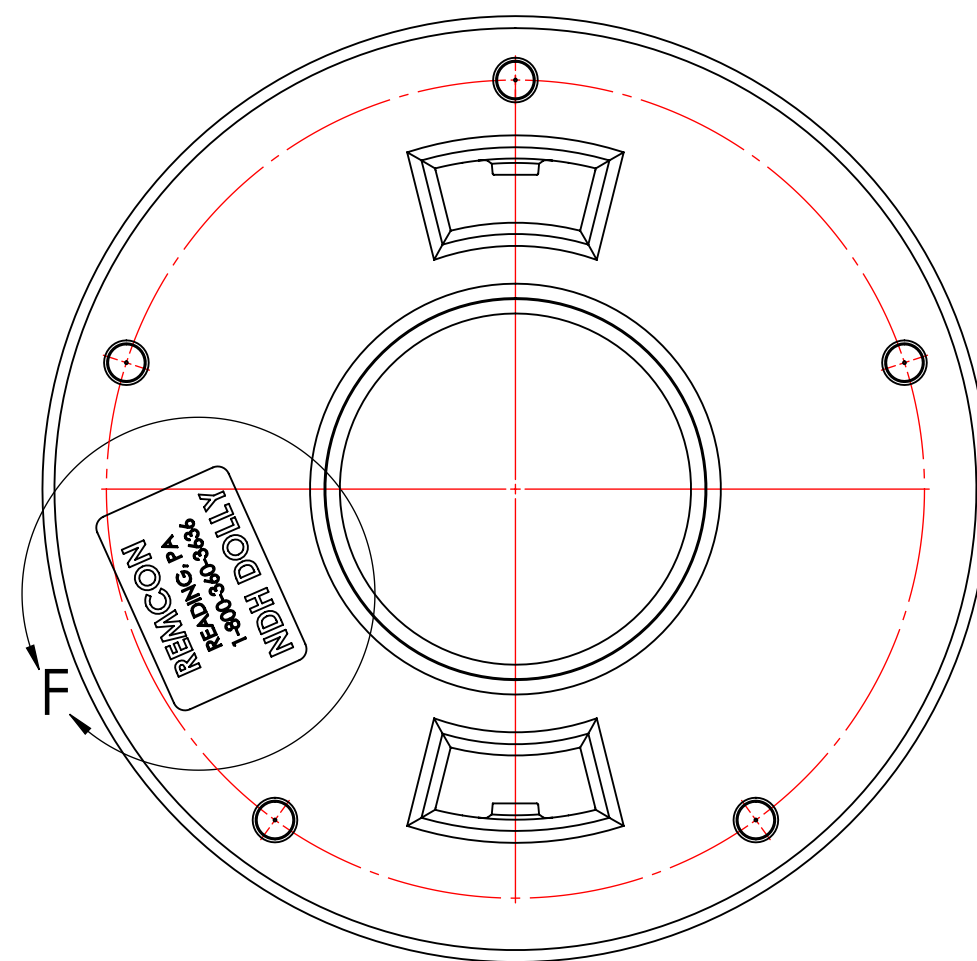
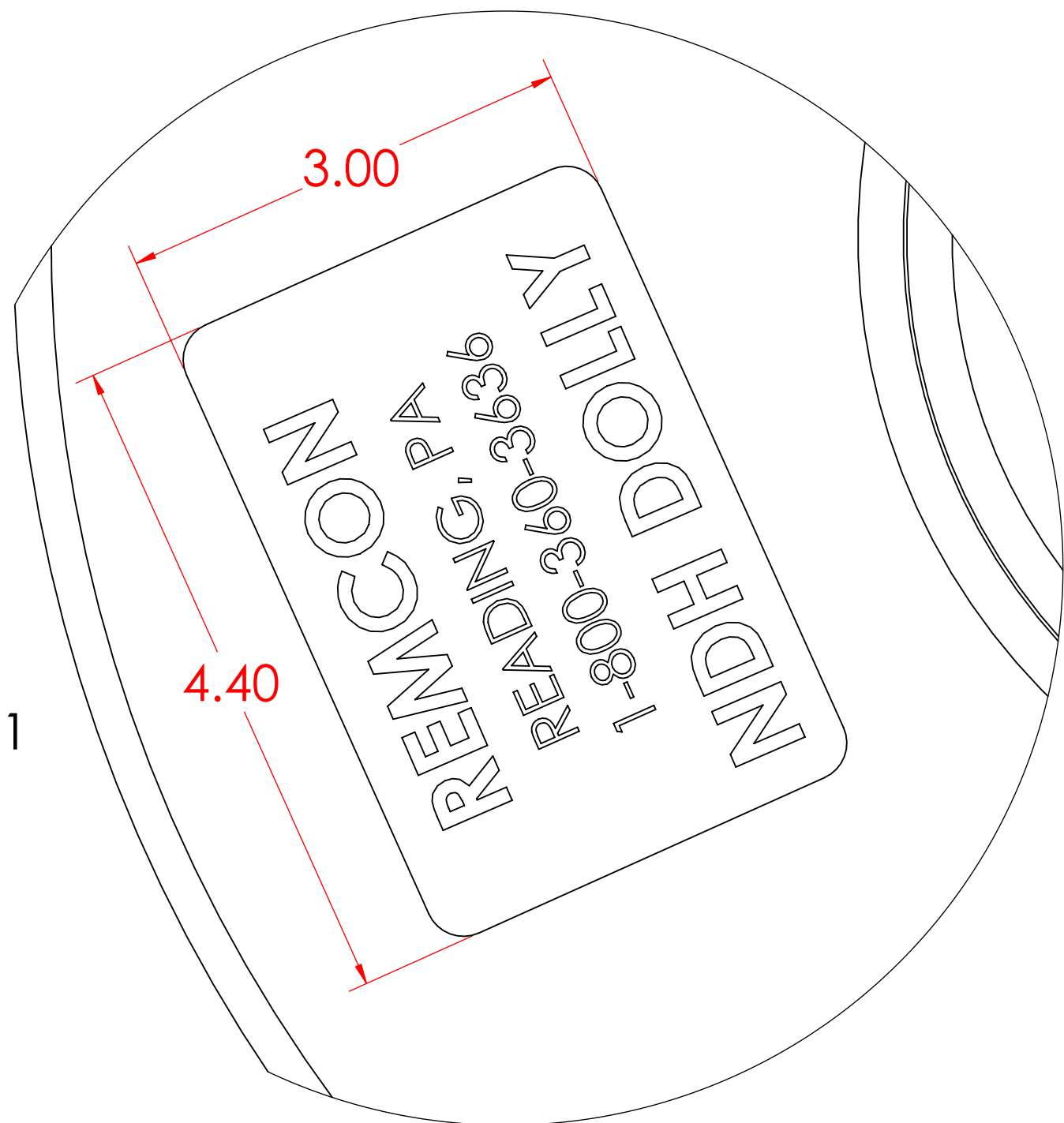
4

3

2

1

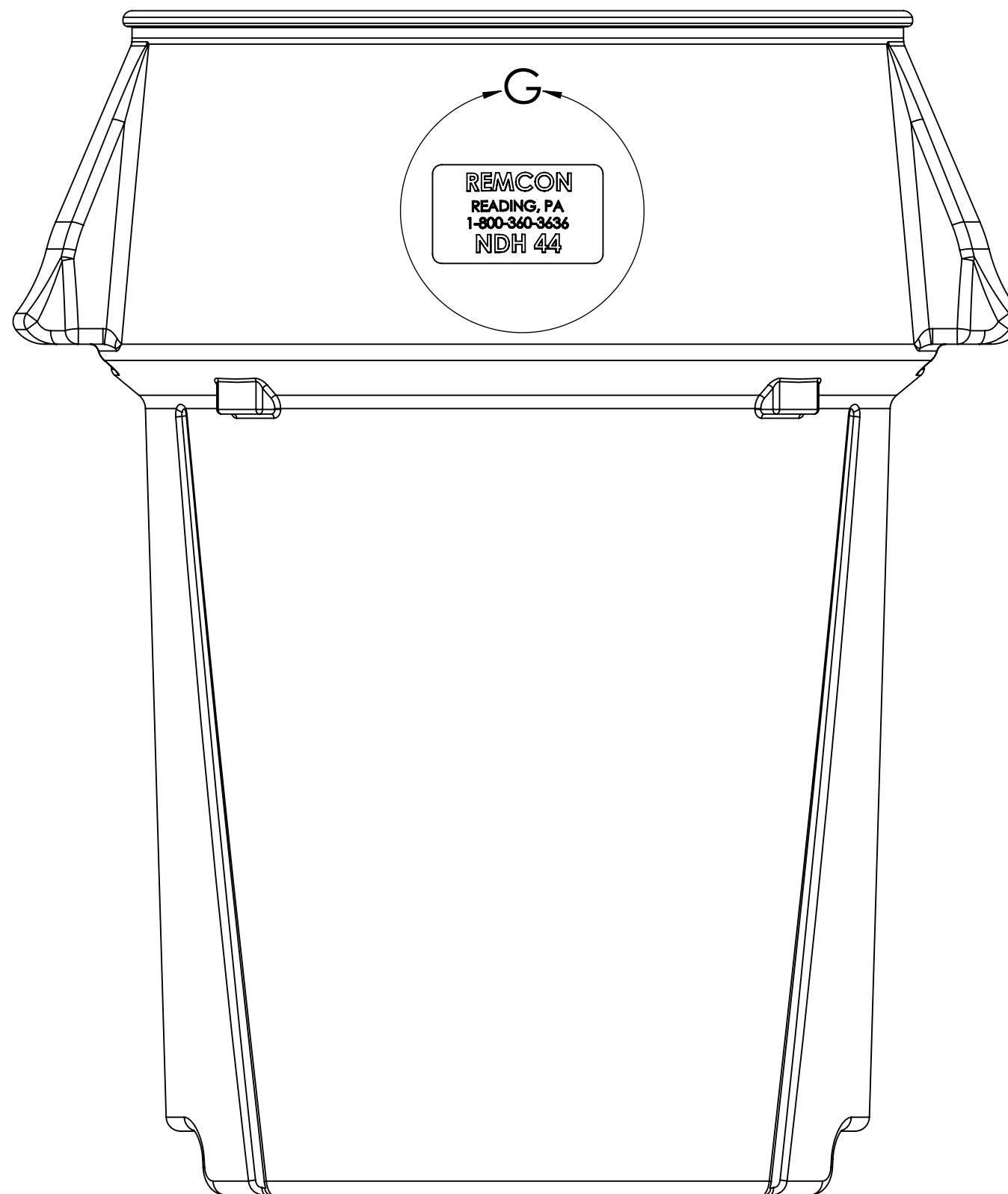
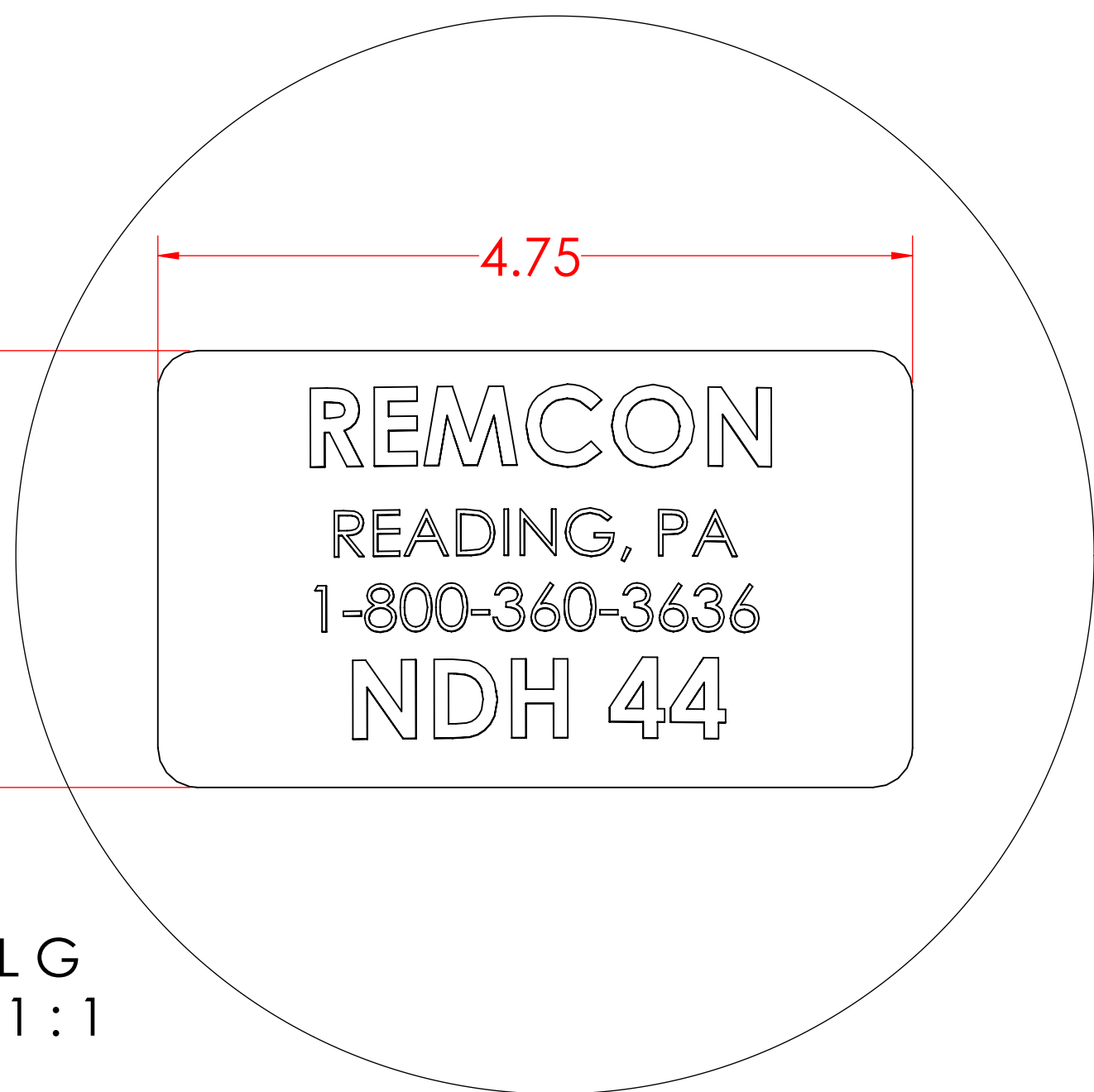
DETAIL F
SCALE 1 : 1



2.75

4.75

DETAIL G
SCALE 1 : 1



4

3

2

1

4

3

2

1

D

D

C

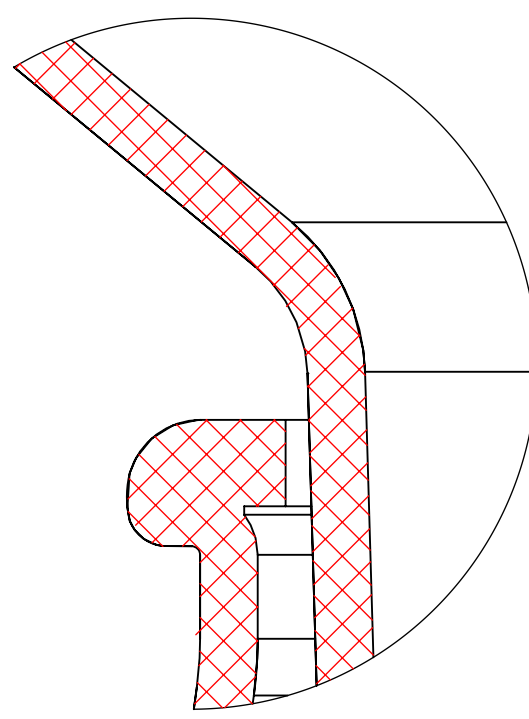
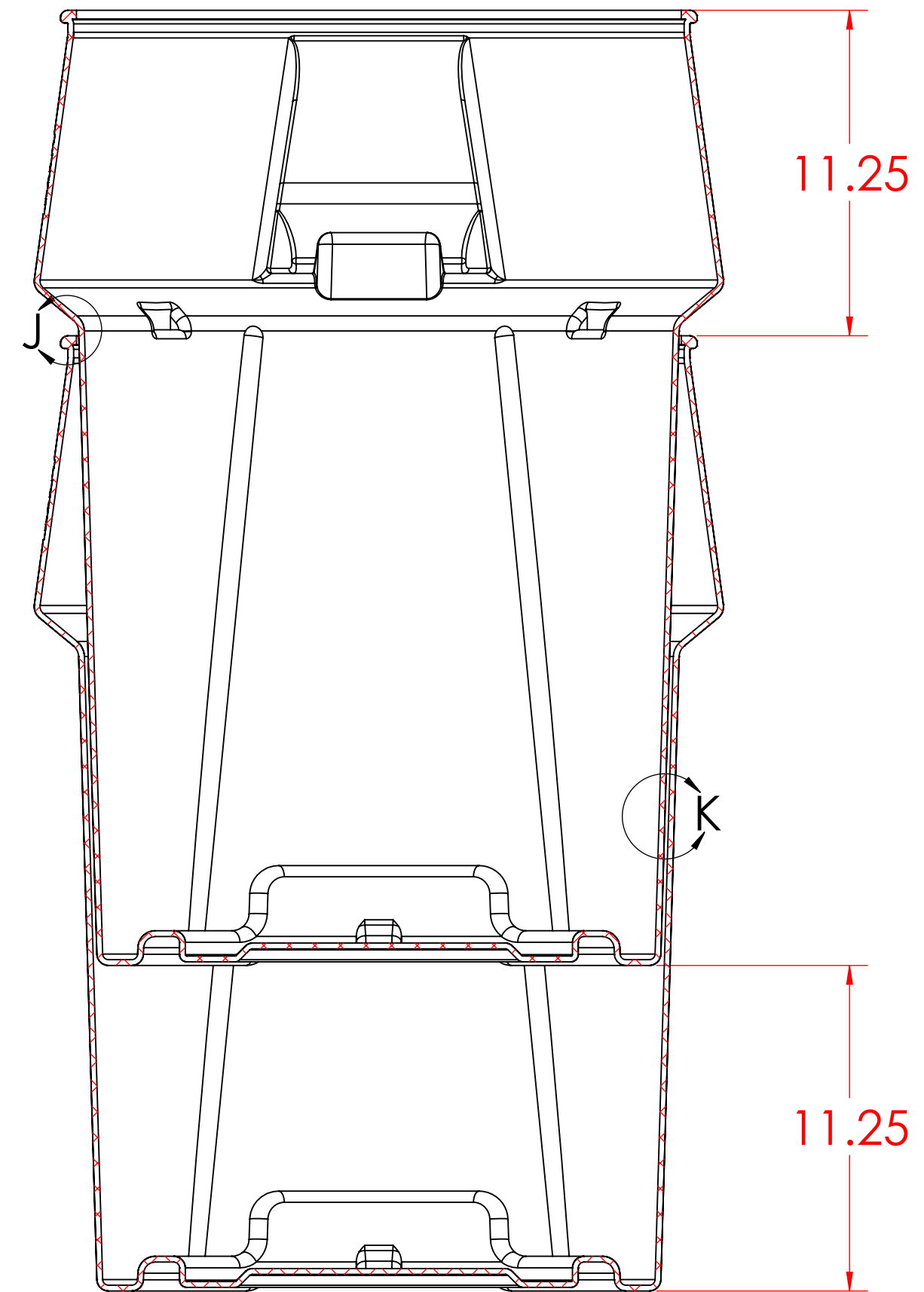
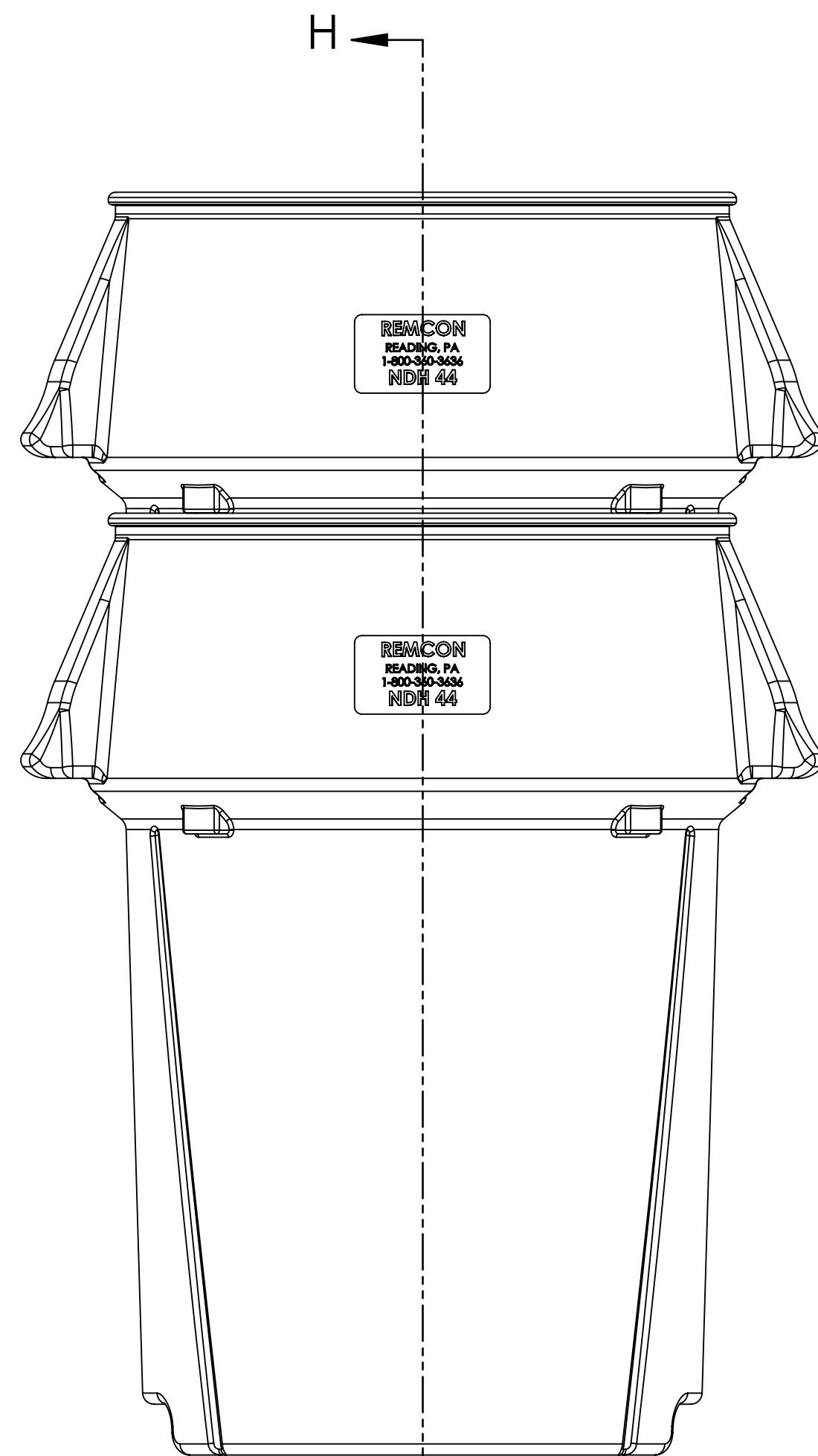
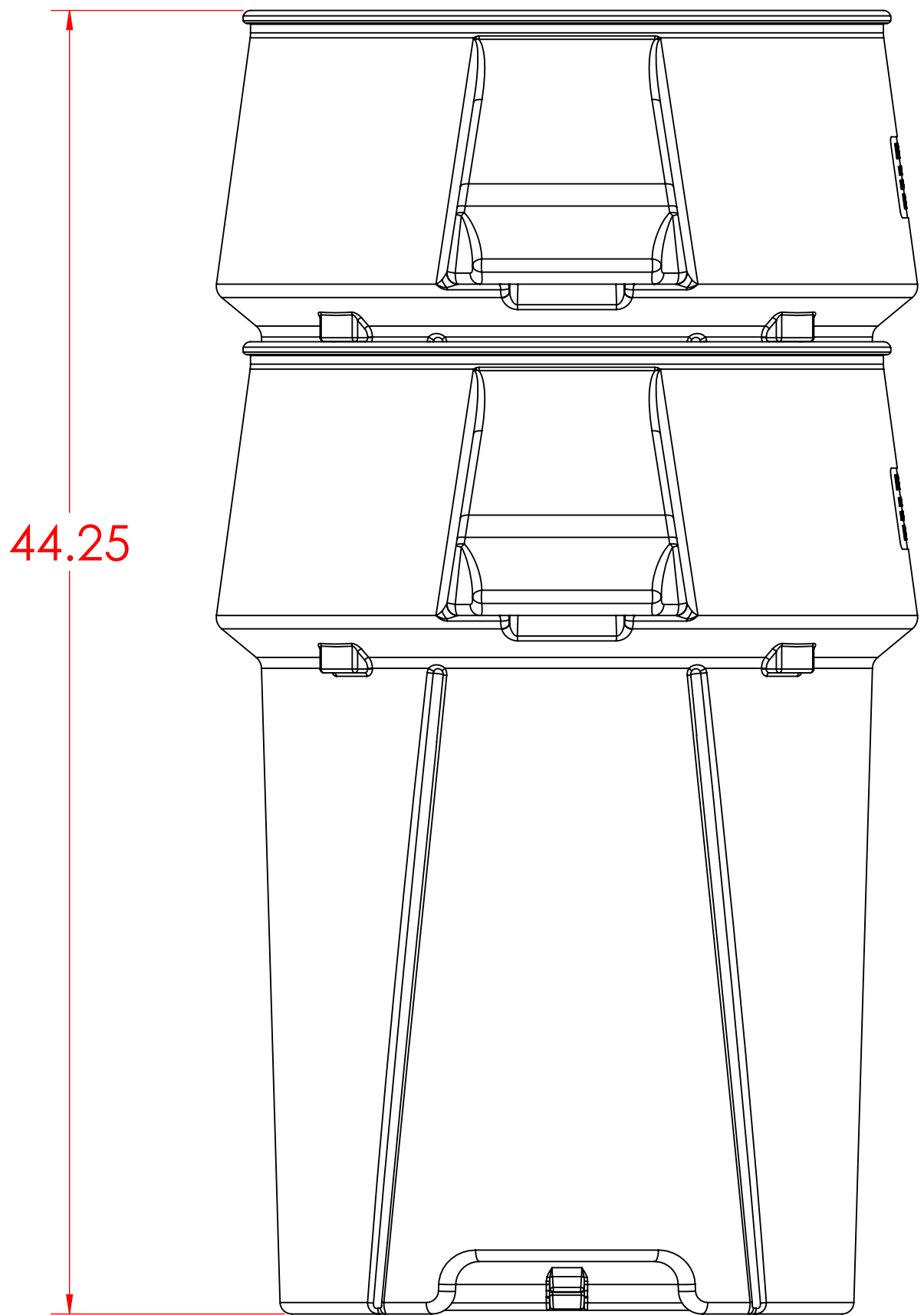
C

B

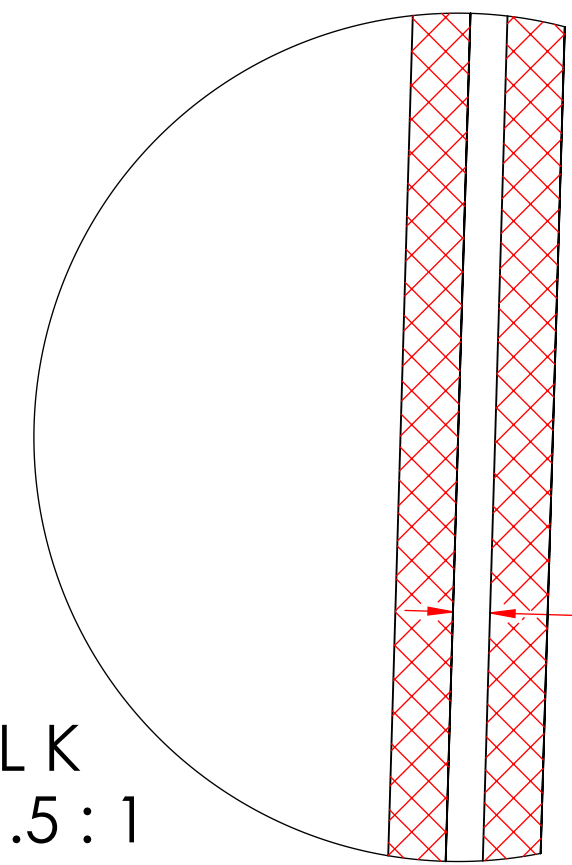
B

A

A



DETAIL J
SCALE 1.5 : 1



DETAIL K
SCALE 1.5 : 1

SECTION H-H

Stacking NDH 44

.13 (Note: This goes to .1 w/ 1% up Scaling)

REMCON 208 Chestnut Street
PLASTICS, INCORPORATED Reading Pa, 19602

DWG. NO.

SIZE C	SHEET 4 OF 5	REV A
---------------	--------------	--------------

4

3

2

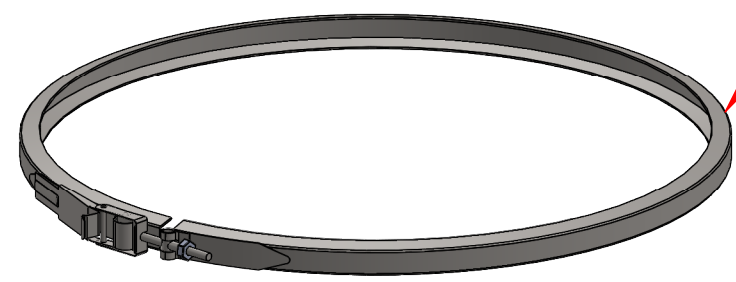
1

4

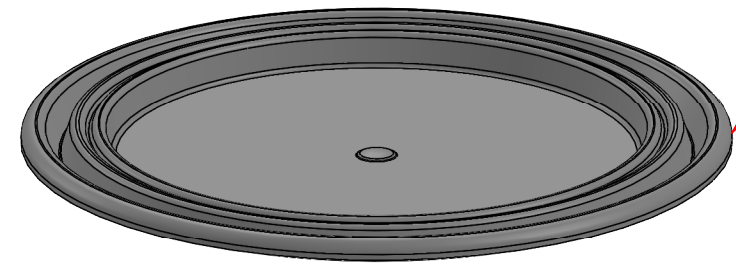
3

2

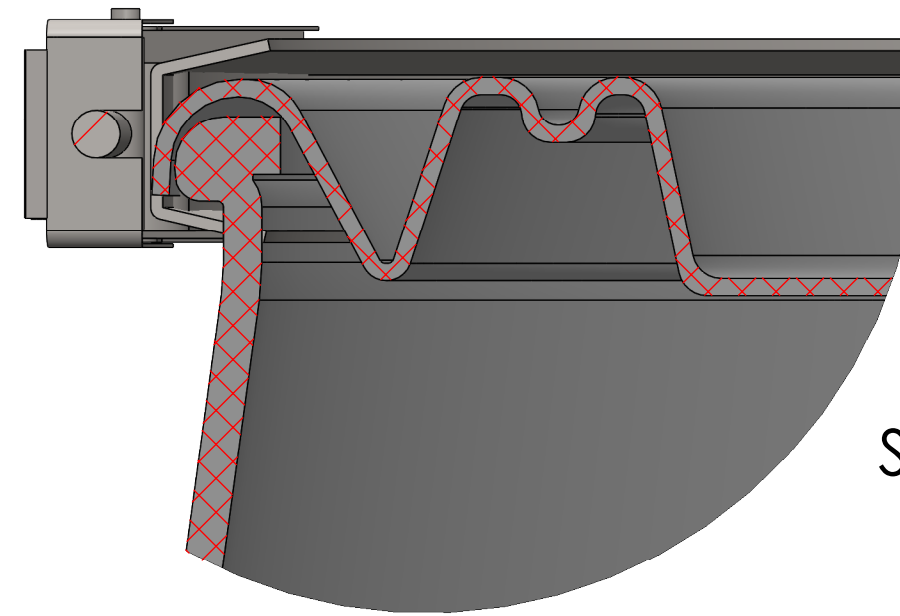
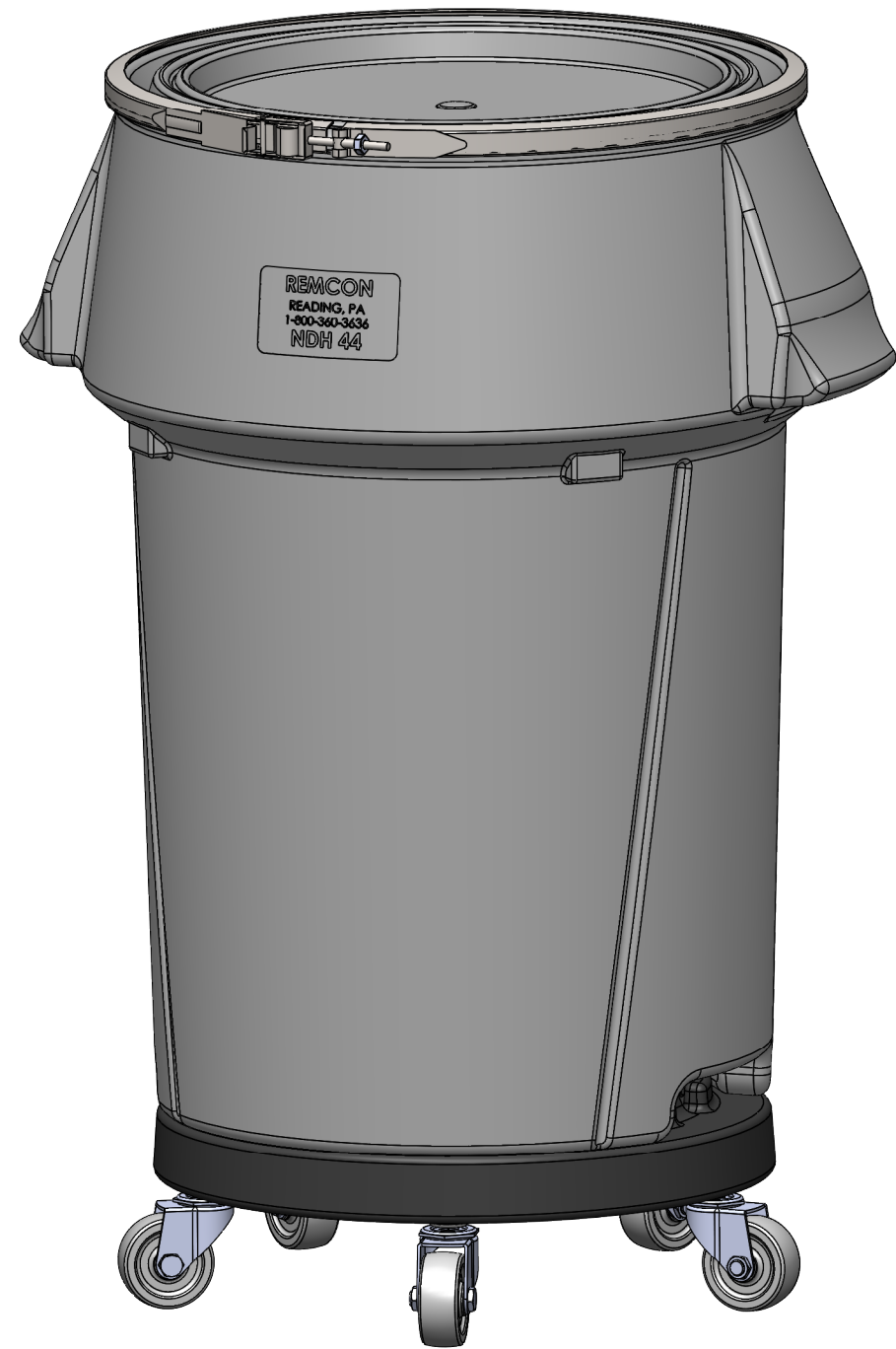
1



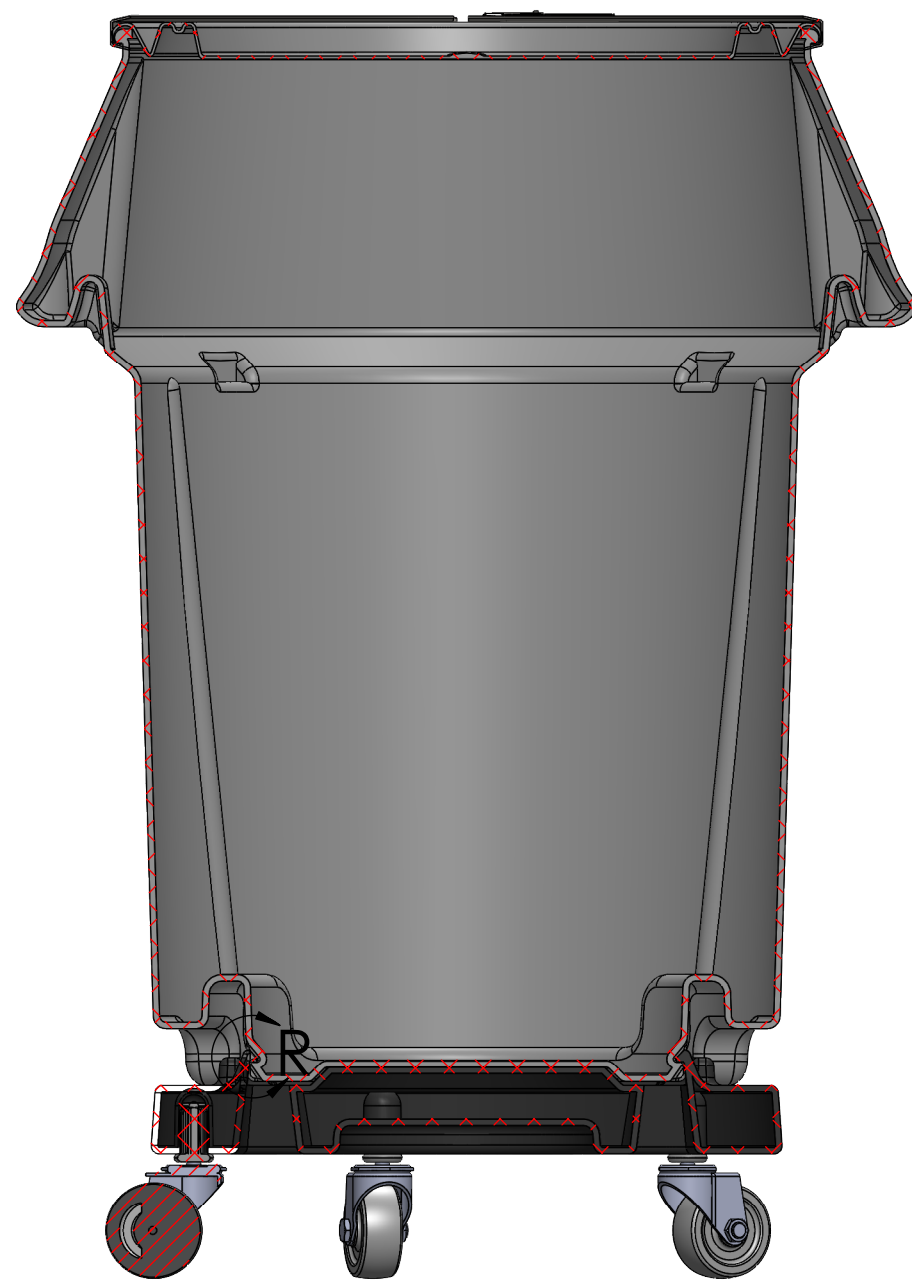
Locking Ring 051452152006000



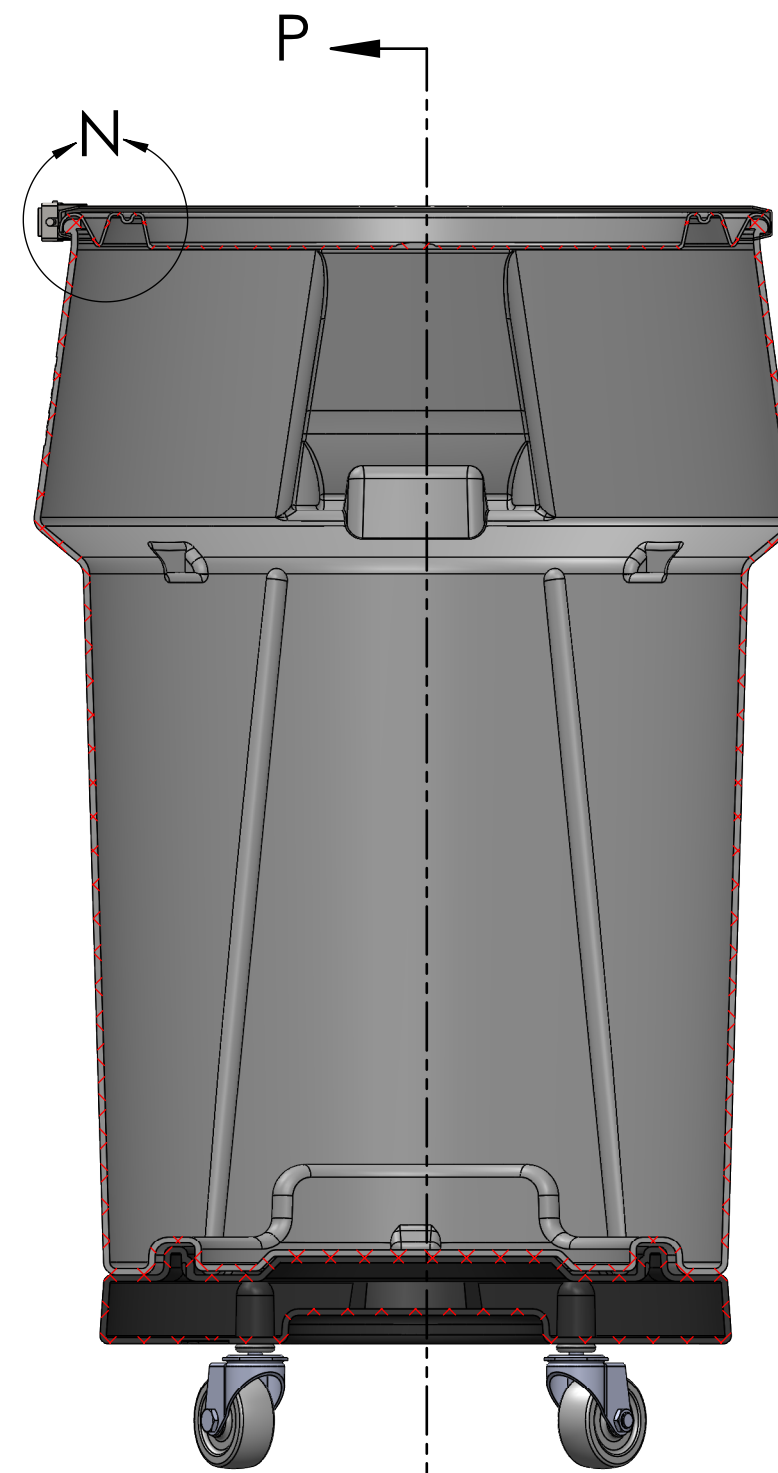
051452150007000 21.5 lid



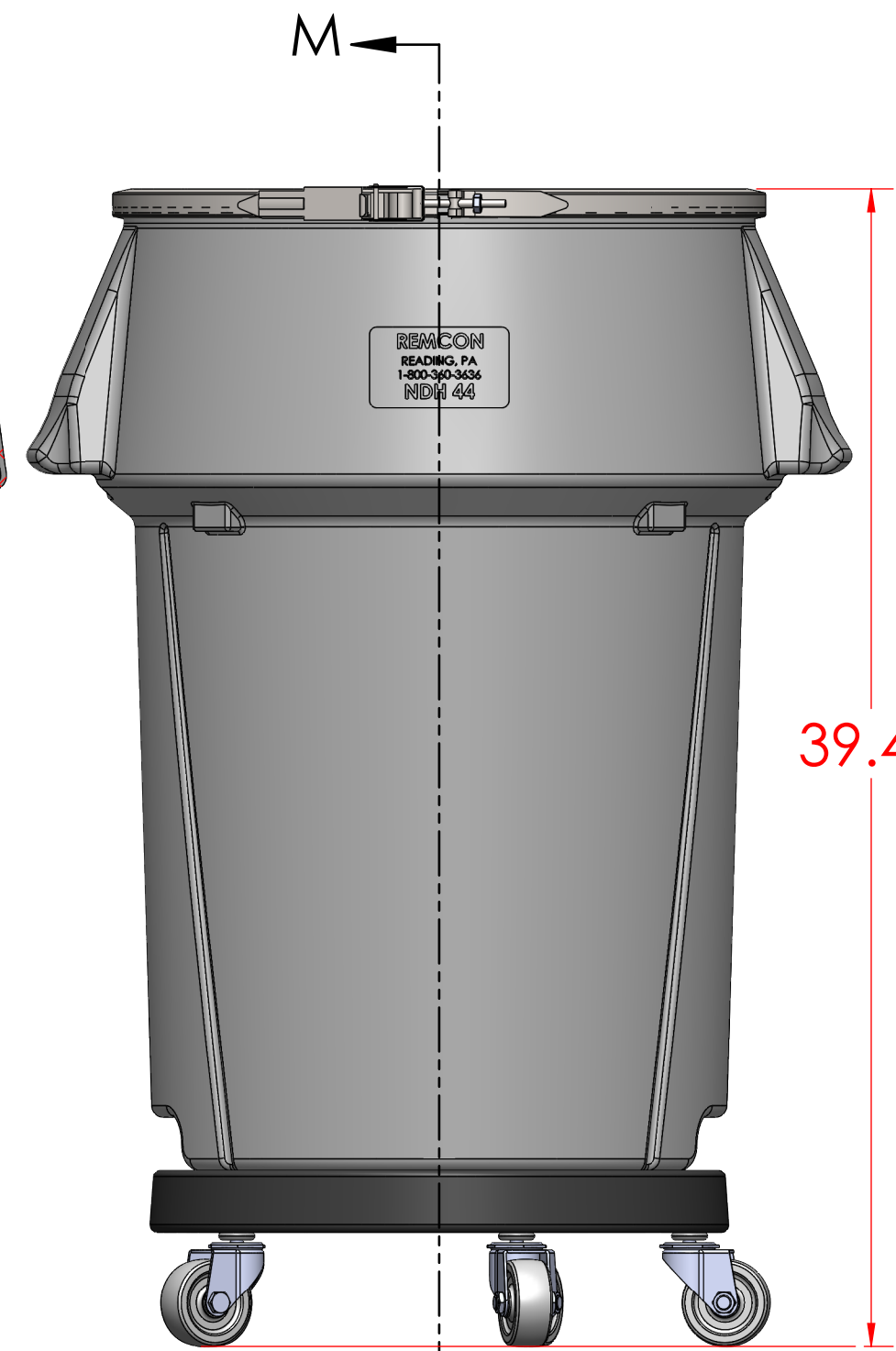
DETAIL N
SCALE 1 : 1



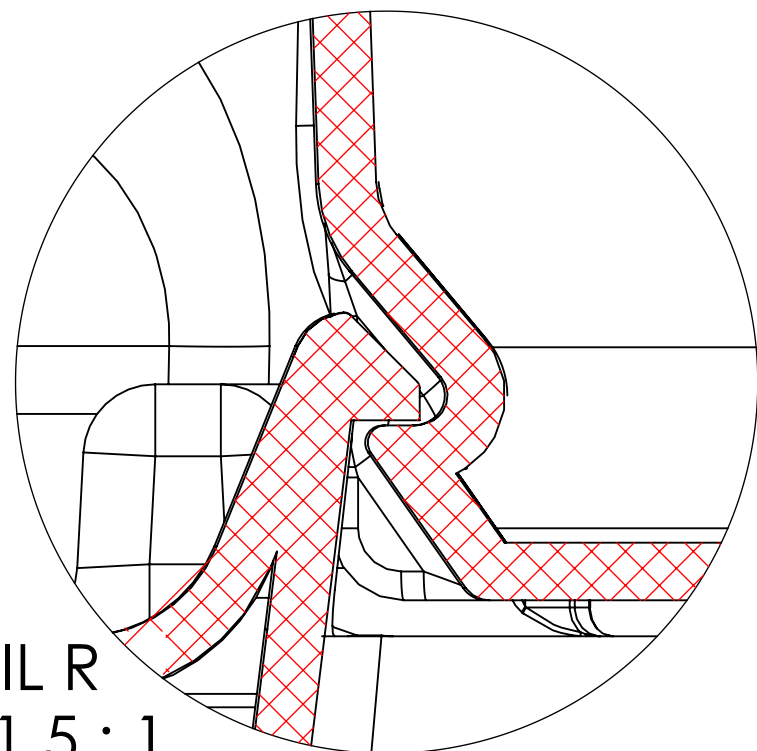
SECTION P-P



SECTION M-M



39.44



DETAIL R
SCALE 1.5 : 1

REMCN 208 Chestnut Street
PLASTICS, INCORPORATED Reading Pa, 19602

DWG. NO.

SIZE	C	SHEET 5 OF 5	REV	A
------	---	--------------	-----	---

4

3

2

1