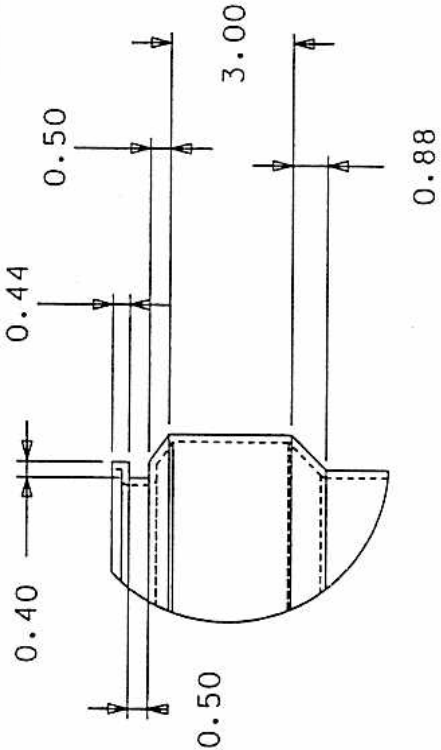
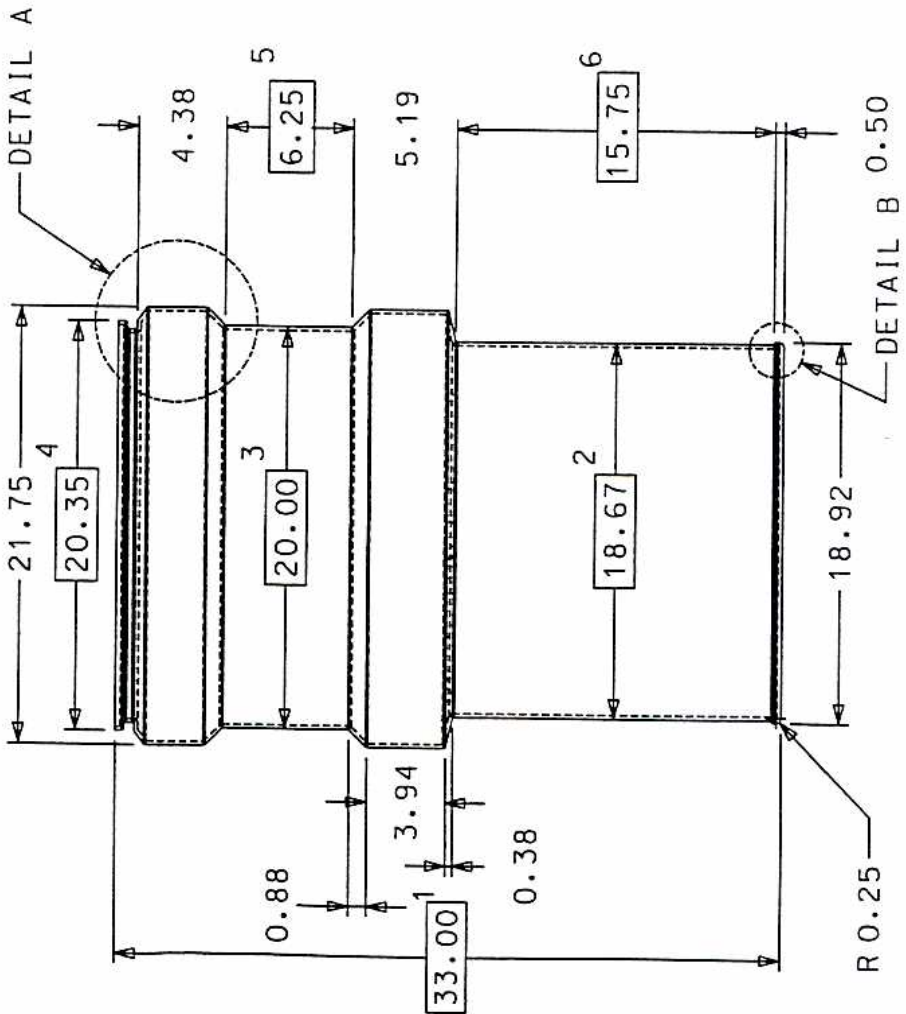
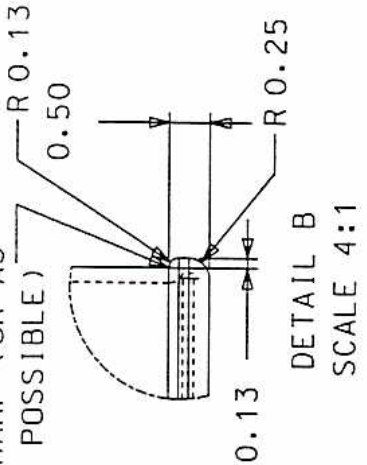
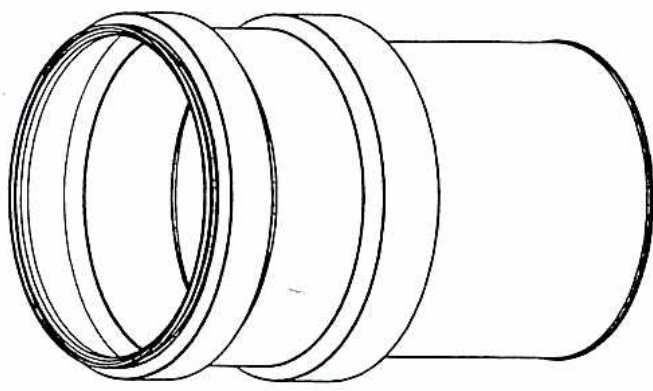
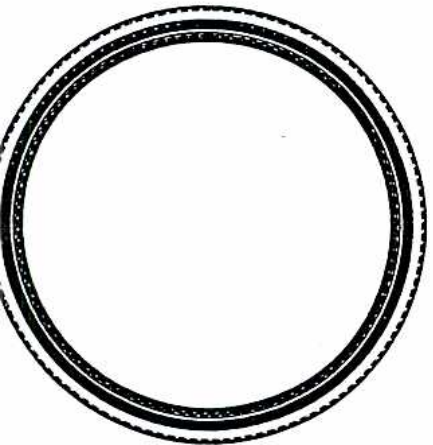


NOTE: ALL UNSPECIFIED RADII 1/8"

THIS EDGE TO BE SHARP (OR AS SMALL A RADIUS AS POSSIBLE)



FILE COPY

DETAIL A
 SCALE 2:1

This drawing is owned by REMCON PLASTICS INC. and shall be returned upon demand. It is loaned on condition that it shall not be copied or reproduced or submitted to others without the Owner's consent. In accepting it subject to this condition the recipient further agrees that this drawing or any design, detail or concept disclosed herein shall not be used in any way detrimental to or in competition with the Owner.

TITLE: 33" 150 LITER DRUM

REMCON
 PLASTICS

DRAWN	DATE	SHEET	DWG NO.	SCALE	PROJECT
DCL	7/24/97	1/1	A-20030	1:10	443