

8 7 6 5 4 3 2 1

D

C

B

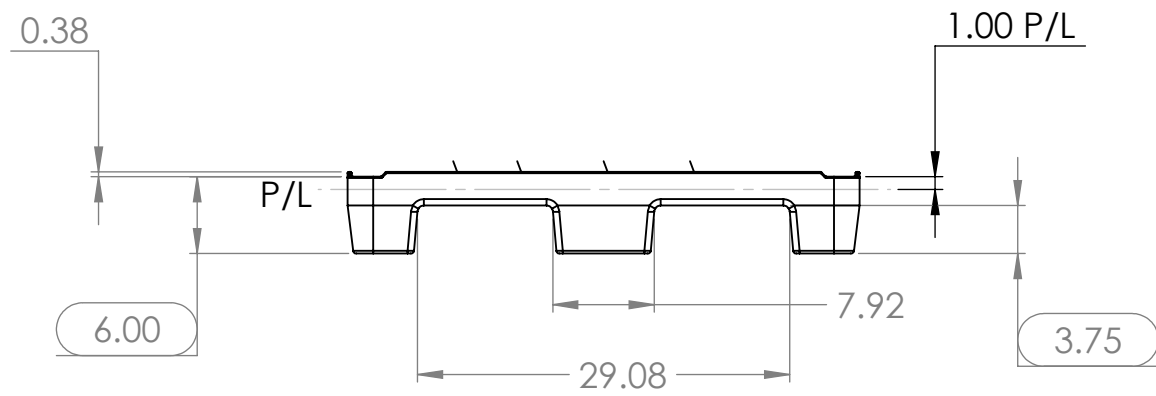
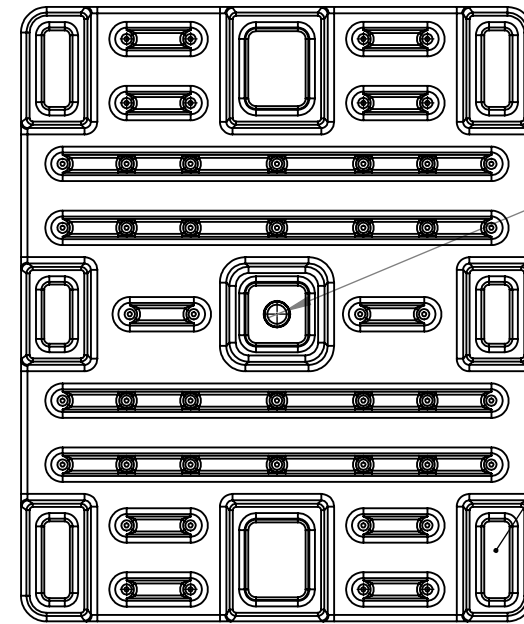
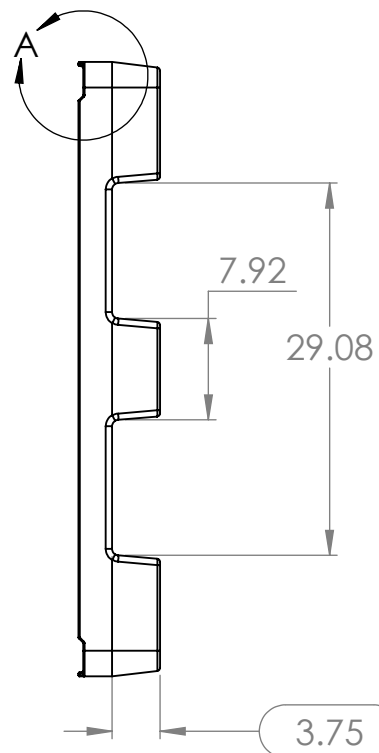
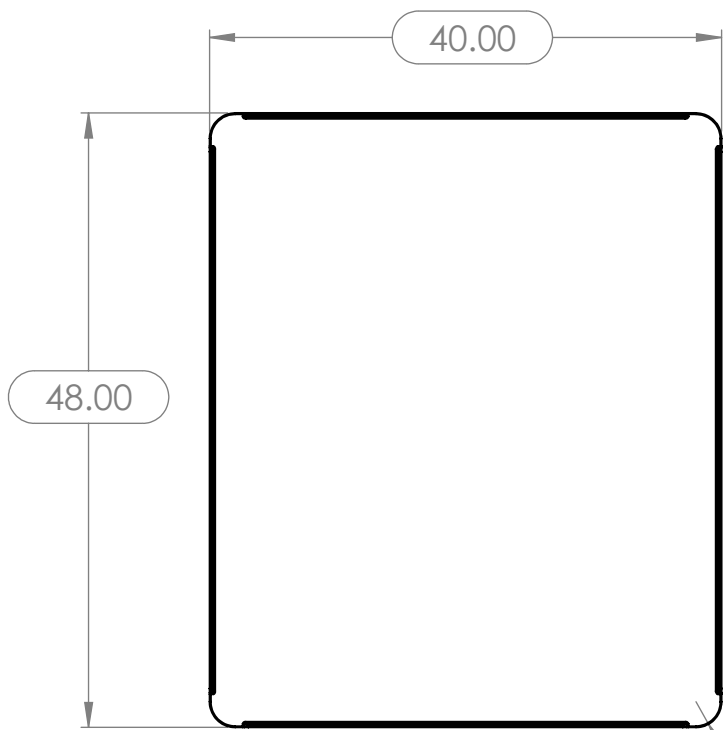
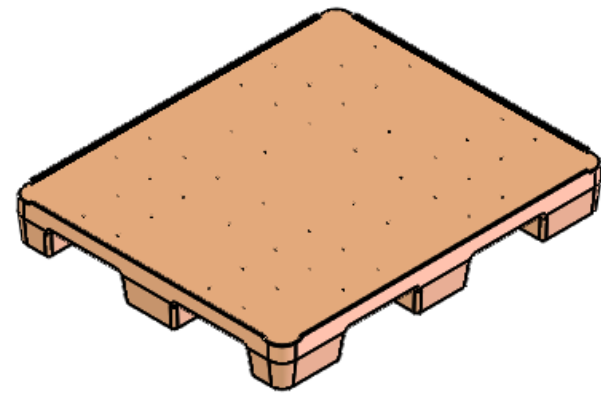
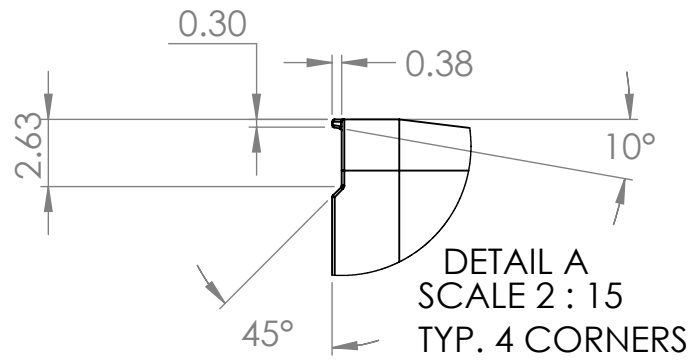
A

D

C

B

A



**FEATURES:**

1. ROTOMOLDED POLYETHYLENE CONSTRUCTION
2. FLAT TOP DECK WITH LIP
3. FOUR WAY FORK ENTRY
4. FDA COMPLIANT MATERIALS
5. EASILY CLEANABLE
6. SEALED INTERIOR
7. COLOR OPTIONS AVAILABLE
8. CRITICAL DIMENSIONS SHOWN IN OVAL
9. SEAL WITH #70 SPIN PATCH (NOT SHOWN)

FOR LETTER CODES IN DRAWING NUMBER  
 FOR "X" - 1 = FLAT DECK VERSION, 2 = LIP VERSION  
 "YYY" = COLOR DESIGNATOR

**PROPRIETARY AND CONFIDENTIAL**  
 THE INFORMATION CONTAINED IN THIS DRAWING IS THE SOLE PROPERTY OF REMCON PLASTICS INC. ANY REPRODUCTION IN PART OR AS A WHOLE WITHOUT THE WRITTEN PERMISSION OF REMCON PLASTICS INC IS PROHIBITED.

		UNLESS OTHERWISE SPECIFIED:		NAME	DATE	Remcon Plastics Inc. 208 Chestnut Street, Reading Pa, 19602	
		DIMENSIONS ARE IN INCHES TOLERANCES: FRACTIONAL: ±1/64 ANGULAR: ±1/2DEG TWO PLACE DECIMAL ±.020 in/in THREE PLACE DECIMAL ±.010 in/in		DRAWN	KM	5/28/14	TITLE: FLAT DECK, 9 LEG PALLET, WITH LIP
		PROJECT NUMBER: 2501		CHECKED			SIZE DWG. NO. REV <b>B</b> 01010404800XYYY A
		MATERIAL LLDPE		ENG APPR.			SCALE: 1:10 WEIGHT: SHEET 1 OF 1
NEXT ASSY		USED ON		COMMENTS:			
APPLICATION		DO NOT SCALE DRAWING					

8 7 6 5 4 3 2 1