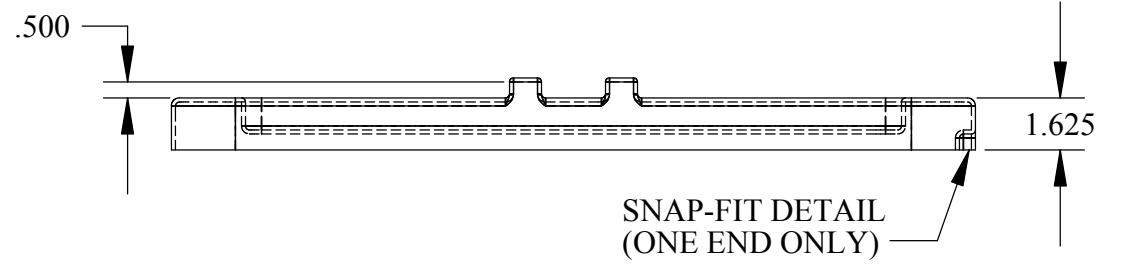
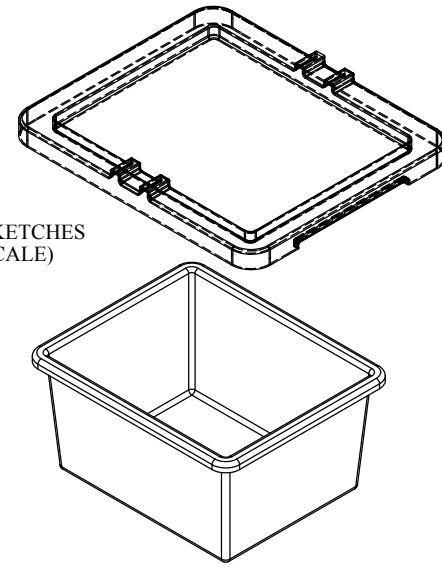
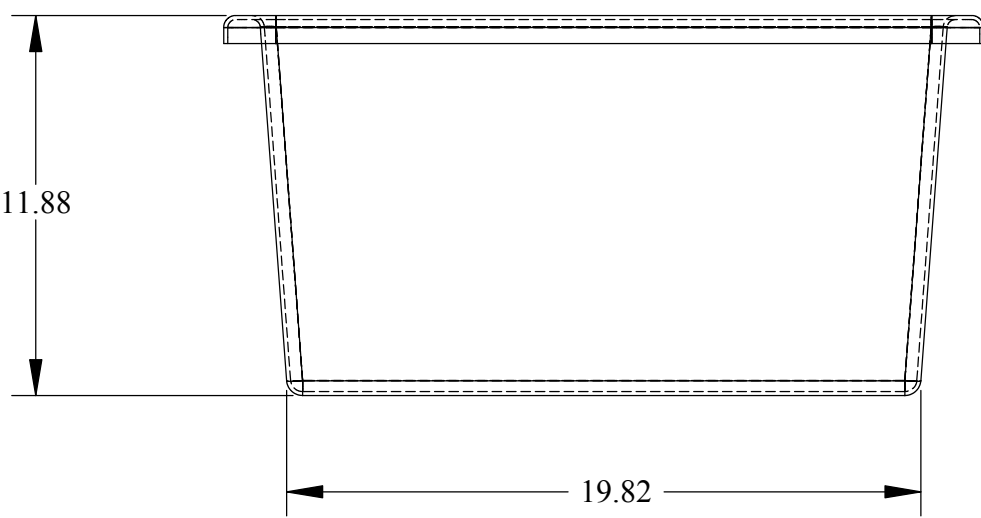
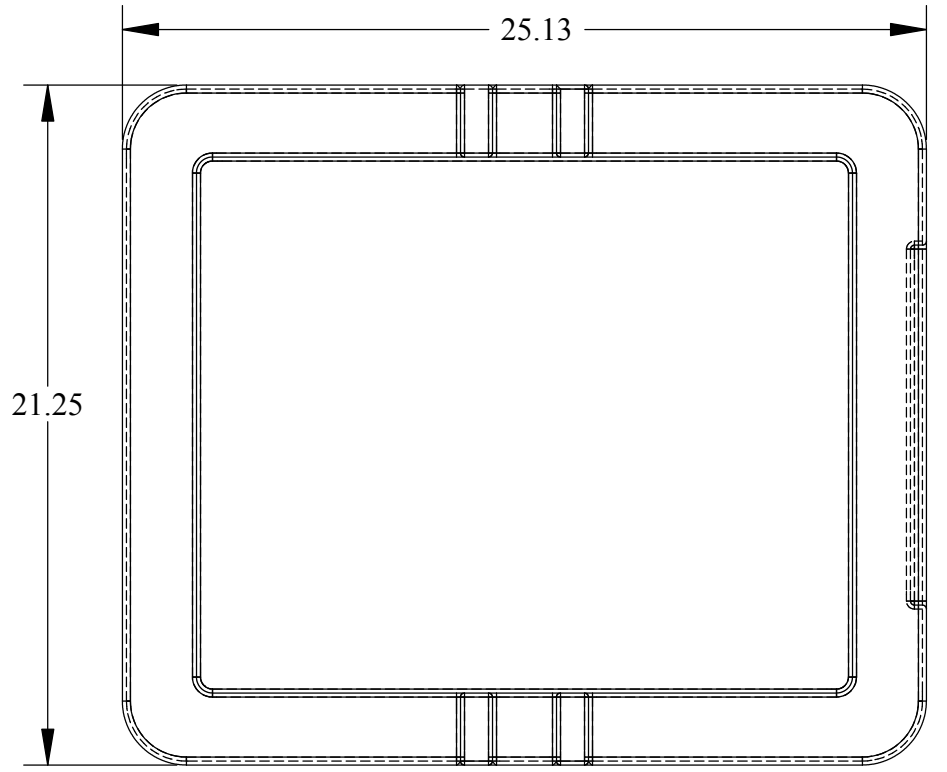
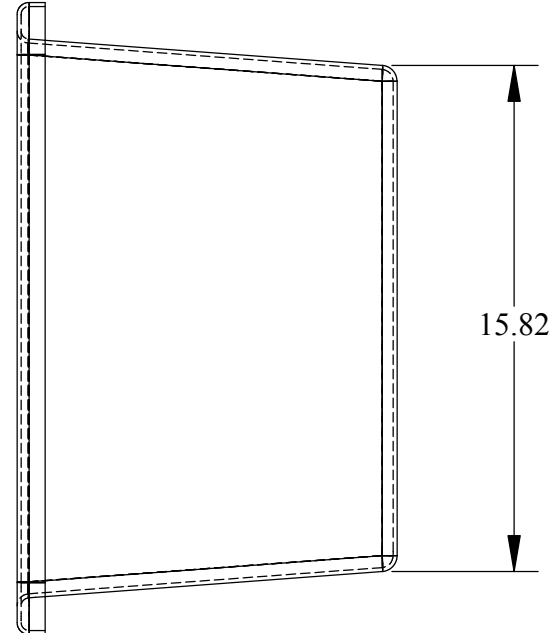
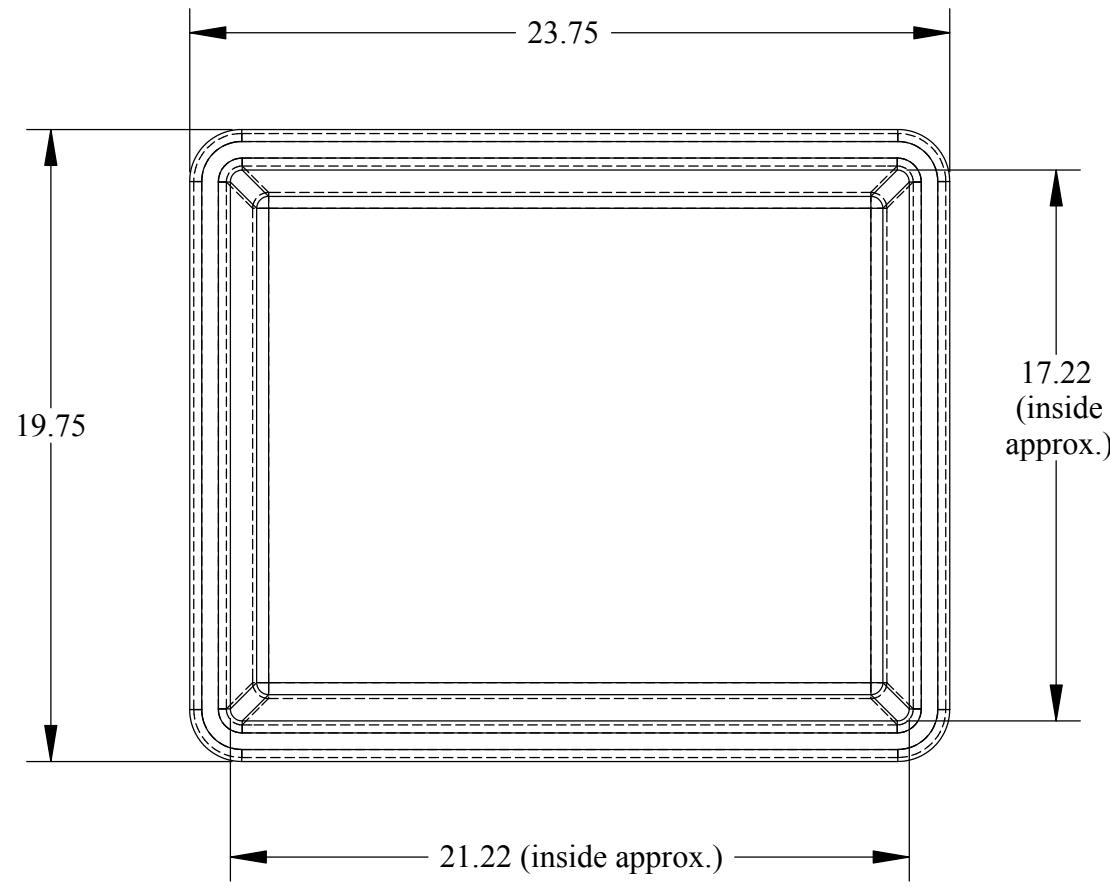


REVISIONS				
ZONE	REV.	DESCRIPTION	DATE	APPROVED



- NOTES:**
- DO NOT SCALE DRAWING
 - DRAWING SHOWS NB-10 TOTE AND LID
 - ALL CORNERS TO HAVE RADII
 - ALL DIMENSIONS ARE TO THEORETICAL SHARP CORNERS
 - NOMINAL WALL THICKNESS 0.125

PROPRIETARY AND CONFIDENTIAL
 THE INFORMATION CONTAINED IN THIS DRAWING IS THE SOLE PROPERTY OF REMCON PLASTICS, INC. ANY REPRODUCTION IN PART OR AS A WHOLE WITHOUT THE WRITTEN PERMISSION OF REMCON PLASTICS, INC. IS STRICTLY PROHIBITED.

UNLESS OTHERWISE SPECIFIED:		NAME	DATE	REMCON PLASTICS, INC.
DIMENSIONS ARE IN INCHES TOLERANCES:		DRAWN	PFE 9/2/05	
FRACTIONAL: N/A ANGULAR: ± .050 DEG. DECIMAL: ± 0.010 / INCH		CHECKED	PFE 9/2/05	TITLE:
INTERPRET GEOMETRIC TOLERANCING PER:		ENG APPR.	PFE 9/2/05	NB-10 TOTE AND LID GEN'L SPECIFICATIONS
MATERIAL		MFG APPR.		
FINISH		Q.A.		SIZE
NEXT ASSY	USED ON	COMMENTS:		DWG. NO.
				B B-20084
				REV
				0
APPLICATION	DO NOT SCALE DRAWING	SCALE: 1:6		WEIGHT:
				SHEET 1 OF 1