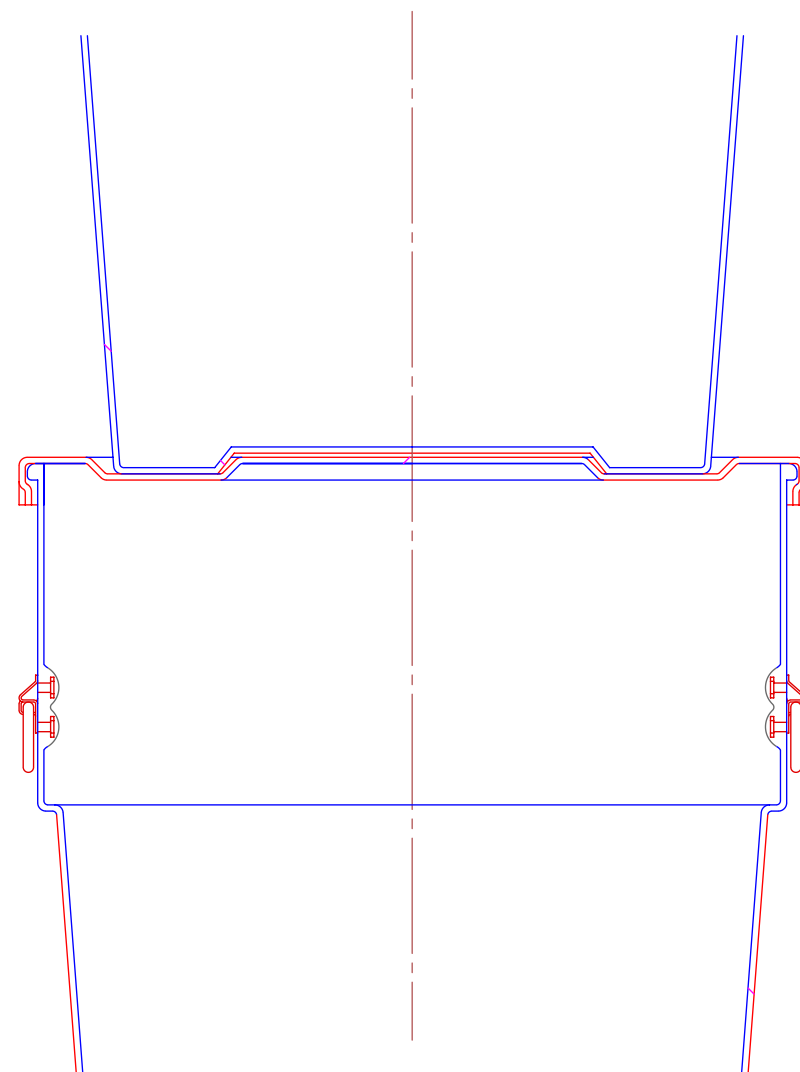
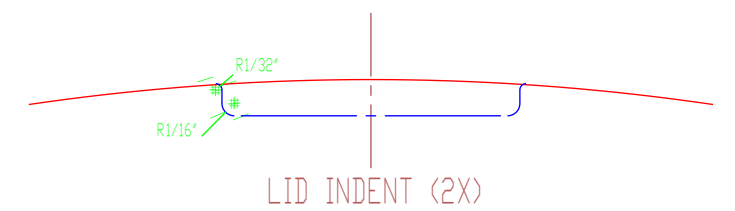


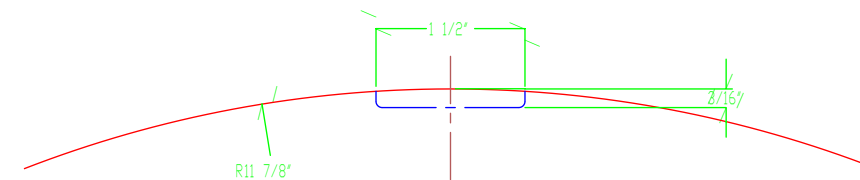
LID. (FULL SIZE)



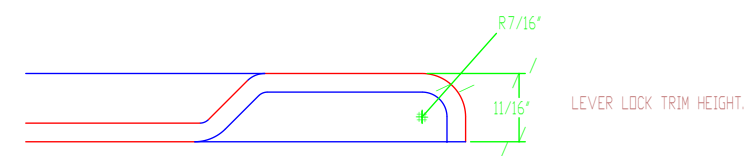
BASE, LID, AND LIP ASSEMBLY DETAIL.
(SHOWN FOR REFERENCE ONLY.)



LID INDENT (2X)



SECTION OF LID WITH INDENT.
(PLAN VIEW, FULL SIZE)



OPTIONAL LEVER LOCK LIP (FULL SIZE).

NOTES:

- SCALE FOR QUOTE/ESTIMATING PURPOSES ONLY.
- DRAWING SHOWS FINISHED MOLDED PART - TRIMMED.
- ALL DIMENSIONS ARE REFERENCED TO THEORETICAL SHARP CORNERS ON OUTSIDE SURFACE OF MOLDED PART, UNLESS OTHERWISE STATED.
- UNLESS STATED OTHERWISE, ALL CORNERS WILL HAVE RADII.
- WALL THICKNESS SHOWN FOR REPRESENTATION ONLY.

TOLERANCES		REVISIONS			REMCON PLASTICS INC.			
EXCEPT AS NOTED	NO.	DATE	BY	TITLE		SHEET OF		
DECIMAL	1			LID FOR NBC-45		1		
FRACTIONAL	2			STYLE-01		DRAWING NO.		
ANGULAR	3			DRAWN BY	DATE	D-10276		
	4			JTM	02/17/93			
	5			SCALE	INDEX NO.			
				1:3	20265			