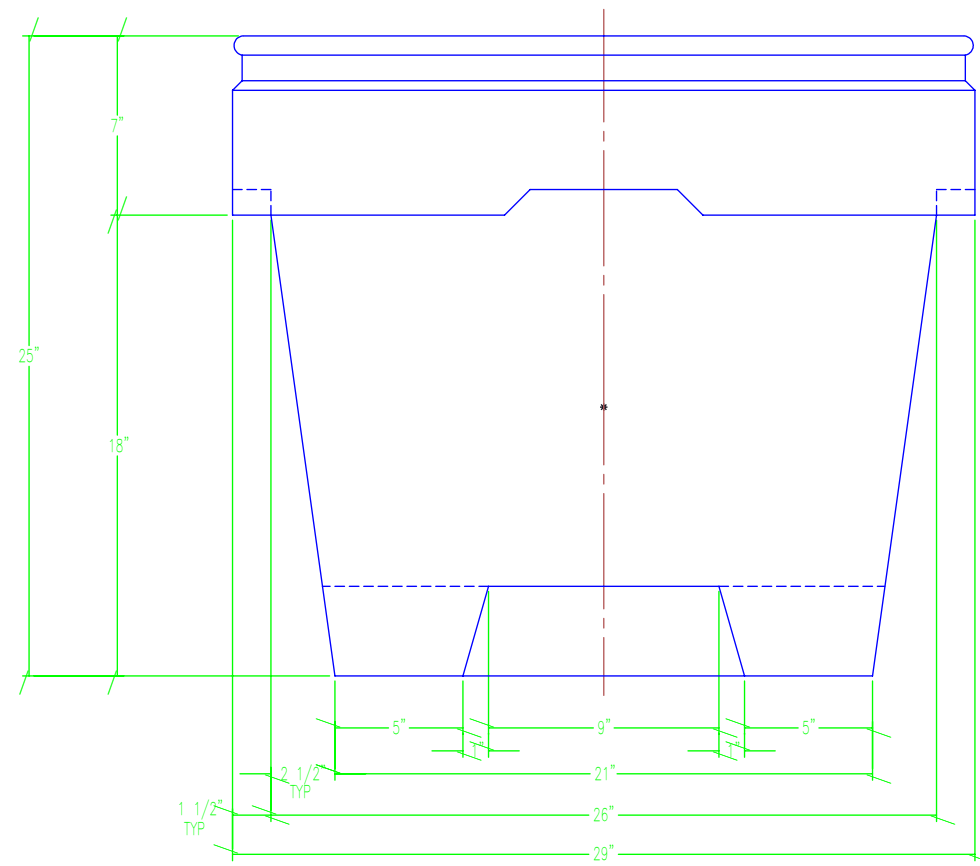
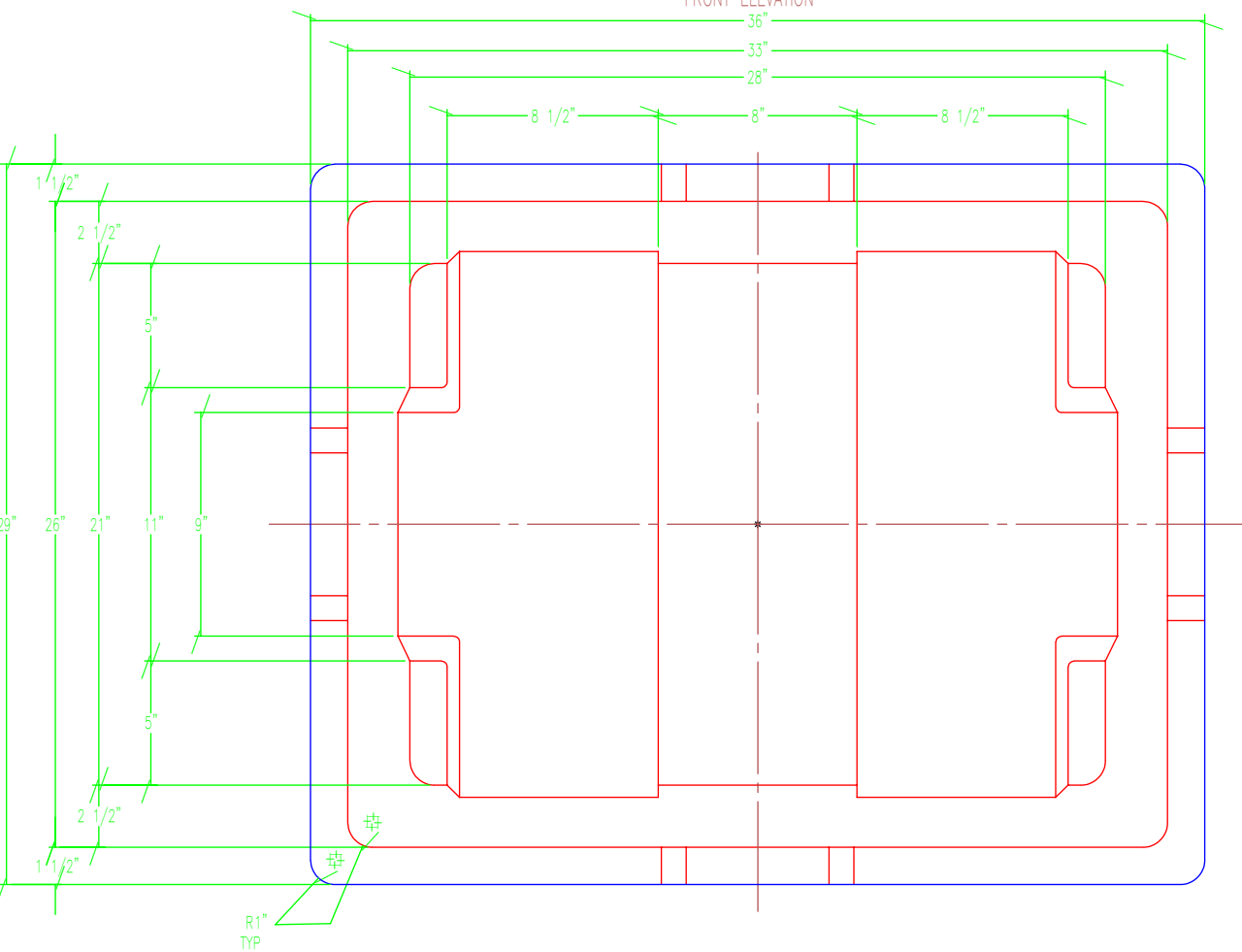


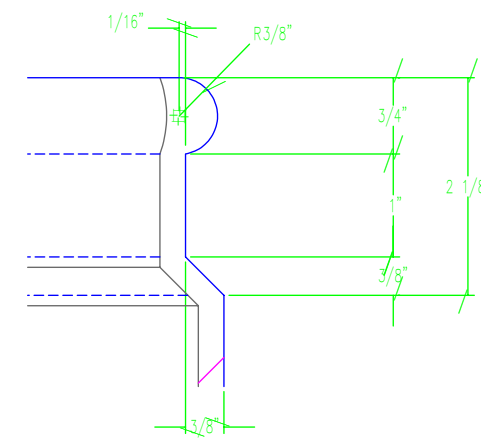
FRONT ELEVATION



END ELEVATION



BOTTOM VIEW



SECTIONAL DETAIL FOR LIP PROFILE (FULL SCALE)

NOTES:

1. SCALE FOR QUOTE/ESTIMATING PURPOSES ONLY.
2. DRAWING SHOWS FINISHED MOLDED PART - TRIMMED.
3. ALL DIMENSIONS ARE REFERENCED TO THEORETICAL SHARP CORNERS ON OUTSIDE SURFACE OF MOLDED PART, UNLESS OTHERWISE STATED.
4. UNLESS STATED OTHERWISE, ALL CORNERS WILL HAVE RADII.
5. WALL THICKNESS SHOWN FOR REPRESENTATION ONLY.
6. ALL DIMENSIONS ARE NOMINAL.

TOLERANCES		REVISIONS			REMCON PLASTICS INC.			
EXCEPT AS NOTED	NO.	DATE	BY	TITLE	DRAWN BY	DATE	SHEET	OF
DECIMAL	1			MUD BUCKET STYLE-02	PFE	11/02/92	1	1
+	2			GENERAL SPECIFICATIONS				
FRACTIONAL	3							
+	4							
ANGULAR	5							
+								

SCALE: 1:4 INDEX NO: 01180 DRAWING NO: D-10256