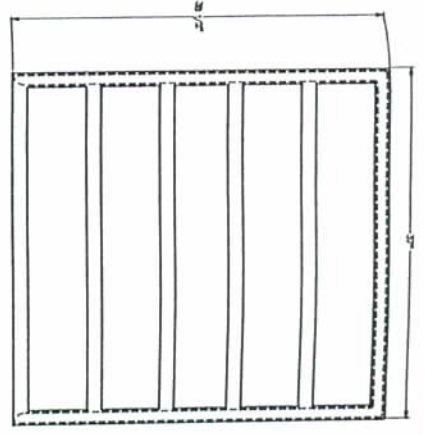
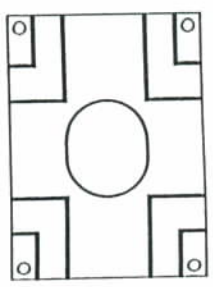


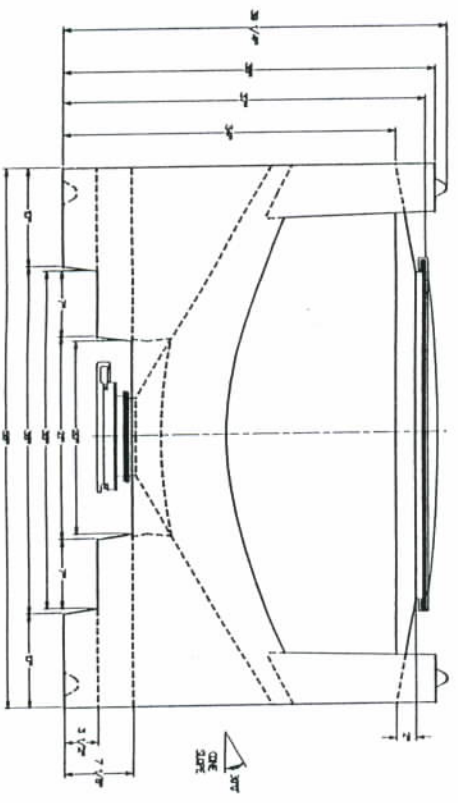
PLAN VIEW  
(LID AND VALVE OMITTED)



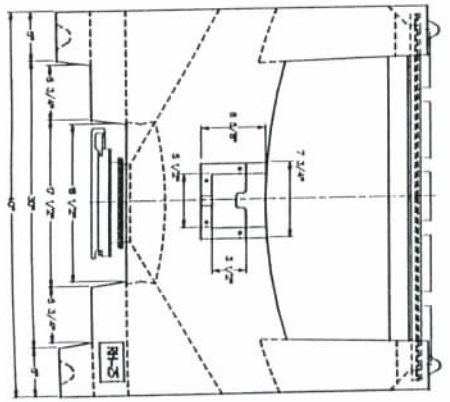
PLAN VIEW OF  
SLOTTED LID



BOTTOM VIEW  
(BASE ONLY; NOT TO SCALE)



ELEVATION  
(WITH LID AND VALVE)



ELEVATION  
(WITH LID AND VALVE)

- NOTES
1. 1/2" HGT SCALE DIMENSIONS.
  2. DRAWING SHOWS FINISHED ASSEMBLY - FINALS ASSEMBLY TO BE COMPLETED BY USER.
  3. ALL DIMENSIONS ARE REFERENCED TO THE CENTERLINE UNLESS OTHERWISE SPECIFIED.
  4. UNLESS STATED OTHERWISE, ALL DIMENSIONS SHALL HAVE A TOLERANCE OF ±.005 INCHES.
  5. WALL THICKNESS SHOWN FOR INFORMATION ONLY.
  6. CRITICAL LOCAL DIMENSIONS OMITTED FOR CLARITY.

**AGREEMENT TO MAINTAIN CONFIDENTIALITY**

This drawing is owned by REMCON PLASTICS, INC. and all rights therein are reserved. It is loaned to you for your use only and shall not be copied or reproduced in any way without the written consent of the Owner. In the event you are unable to return this drawing to the Owner, you shall be deemed to have agreed to assign to the Owner all rights in and to this drawing, and you shall be deemed to have agreed to indemnify the Owner from and against all liability, in any event, arising out of the manufacture, use or sale of such plastic hopper or bases.

AGREEMENT TO MAINTAIN CONFIDENTIALITY

This drawing is owned by REMCON PLASTICS, INC. and all rights therein are reserved. It is loaned to you for your use only and shall not be copied or reproduced in any way without the written consent of the Owner. In the event you are unable to return this drawing to the Owner, you shall be deemed to have agreed to assign to the Owner all rights in and to this drawing, and you shall be deemed to have agreed to indemnify the Owner from and against all liability, in any event, arising out of the manufacture, use or sale of such plastic hopper or bases.

DATE	BY	REVISION
10/20/76	WJ	1
10/20/76	WJ	2
10/20/76	WJ	3
10/20/76	WJ	4
10/20/76	WJ	5

REACON PLASTICS INC.  
GENERAL SPECIFICATIONS  
D-10416