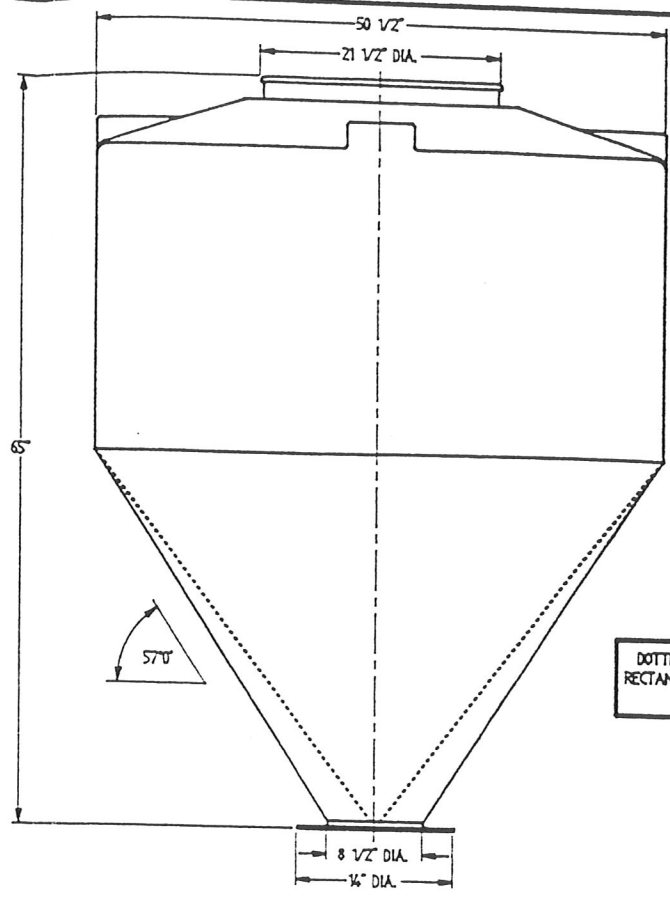
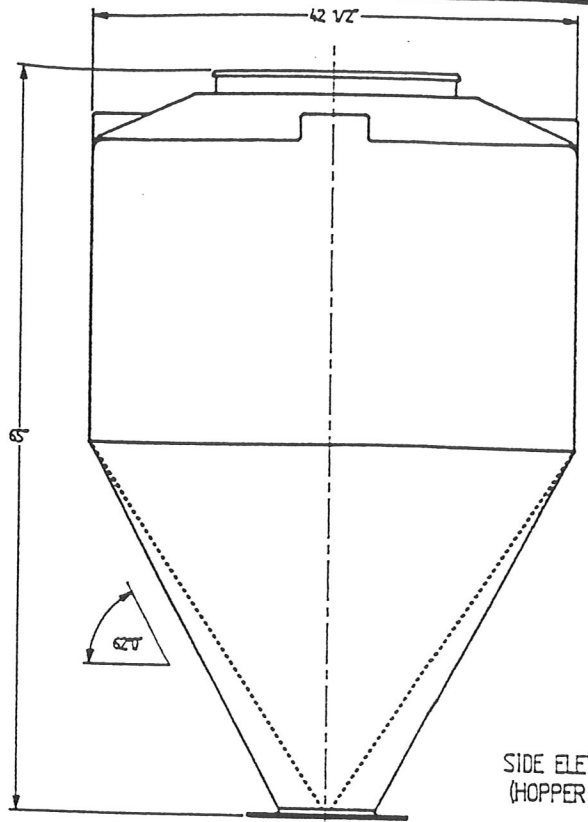


PLAN VIEW
(STAND ONLY)

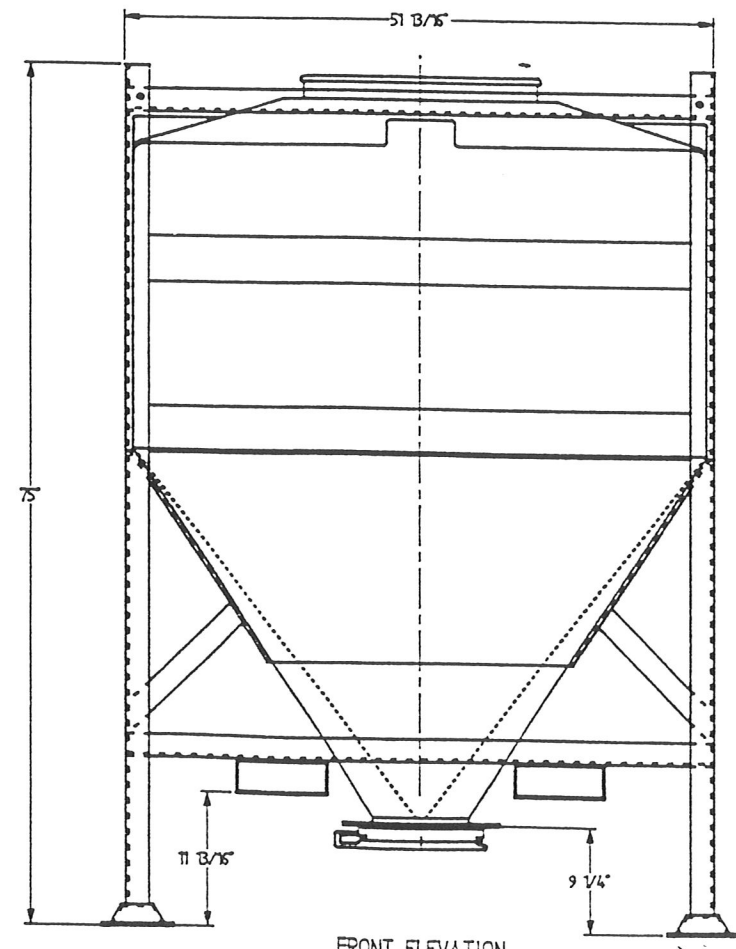


FRONT ELEVATION
(HOPPER ONLY)

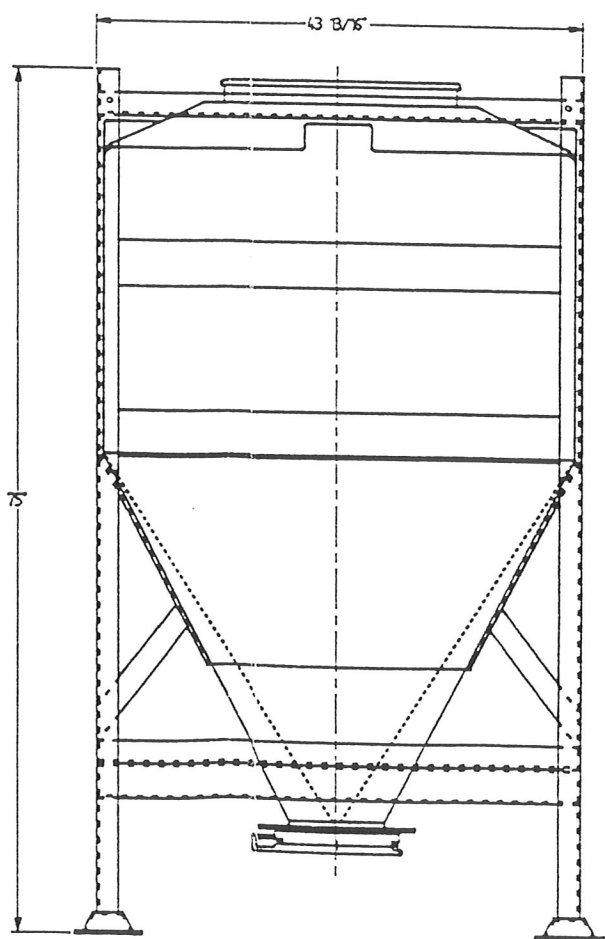


SIDE ELEVATION
(HOPPER ONLY)

DOTTED LINES INDICATE
RECTANGULAR TO CIRCULAR
TRANSITION



FRONT ELEVATION



SIDE ELEVATION

AGREEMENT TO MAINTAIN CONFIDENTIALITY
This drawing is owned by REMCON PLASTICS INC. and shall be returned upon demand. It is loaned on condition that it shall not be copied or reproduced or submitted to others without the Owner's consent. In accepting it subject to this condition the recipient further agrees that this drawing or any design, detail or concept disclosed herein shall not be used in any way detrimental to or in competition with the Owner.

- NOTES:
- DO NOT SCALE DRAWING.
 - DRAWING SHOWS RM-1350 HOPPER IN STEEL FRAME WITH STANDARD LEVER-LOCK LID NECK AND OPTIONAL 1" RIS VALVE.
 - ALL CORNERS AND EDGES ON HOPPER WILL HAVE RADIUS.
 - WALL THICKNESS, WHERE SHOWN, FOR REPRESENTATION ONLY.
 - CERTAIN LOGICAL HIDDEN LINES OMITTED FOR CLARITY.
 - ALL DIMENSIONS ARE NOMINAL.

TOLERANCES		REVISIONS		REMCON PLASTICS INC.	
EXCEPT AS NOTED	NO.	DATE	BY	TITLE	
DECIMAL	1			RM-1350 PYRAMID HOPPER GENERAL SPECIFICATIONS	DRAWN BY: [Signature] DATE: 06/21/95 SHEET 1 OF 1 SCALE: 1:1 INDEX NO. 0106 DRAWING NO. D-10386
+/- SRMT.	2				
FRACTIONAL	3				
+/- SRMT.	4				
ANGULAR	5				