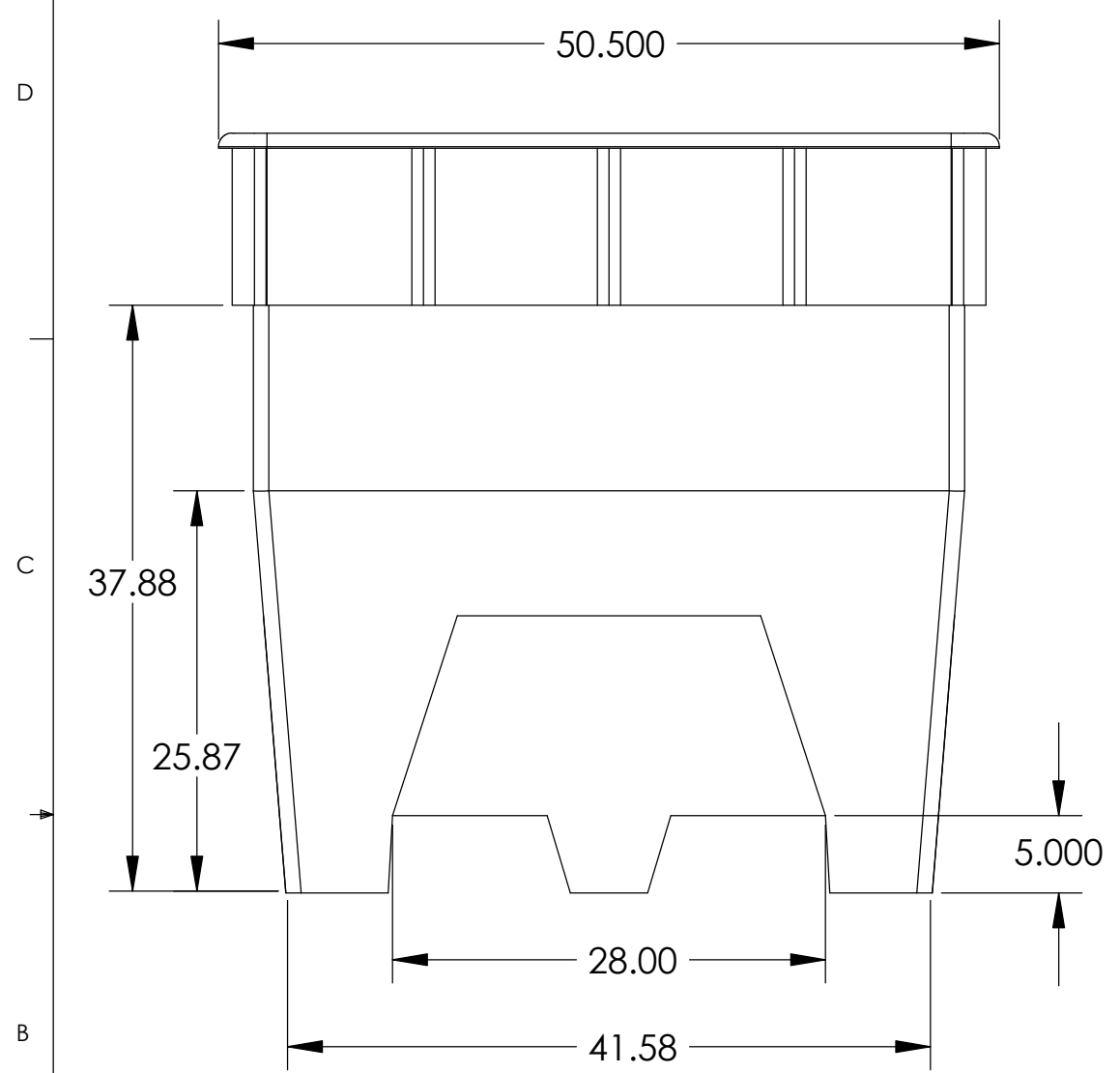
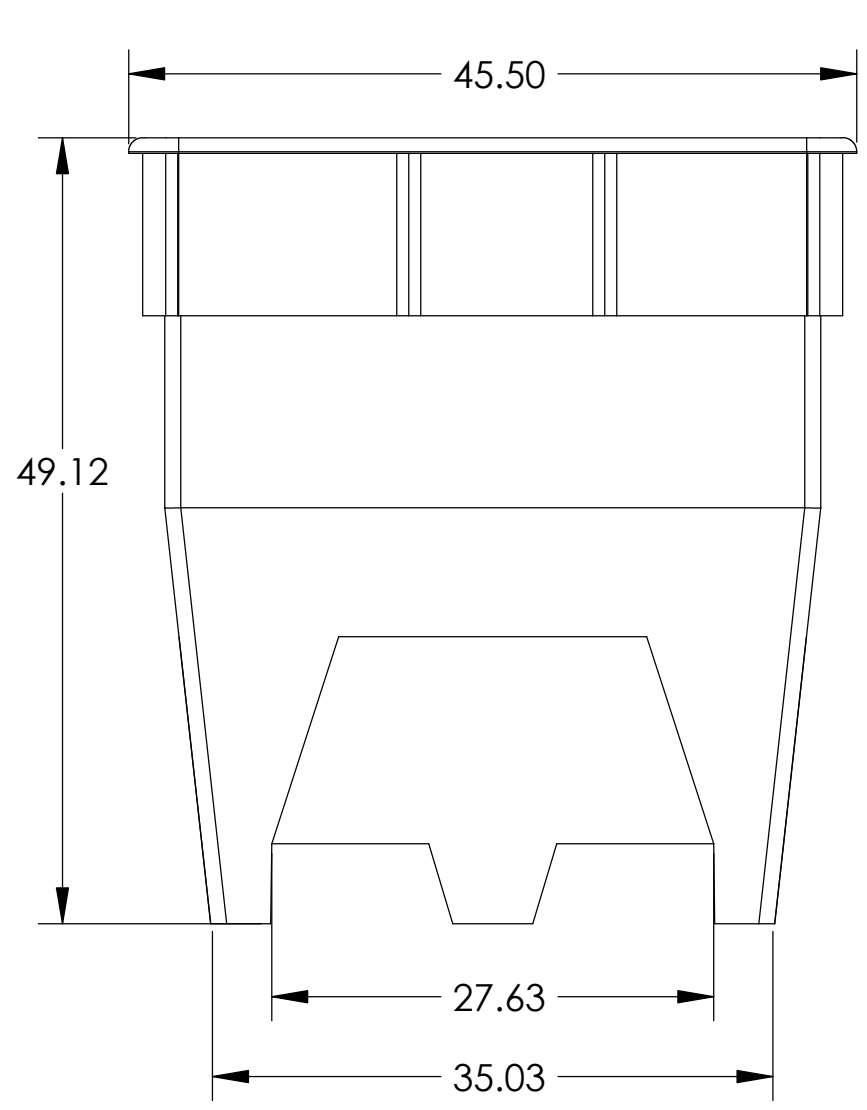


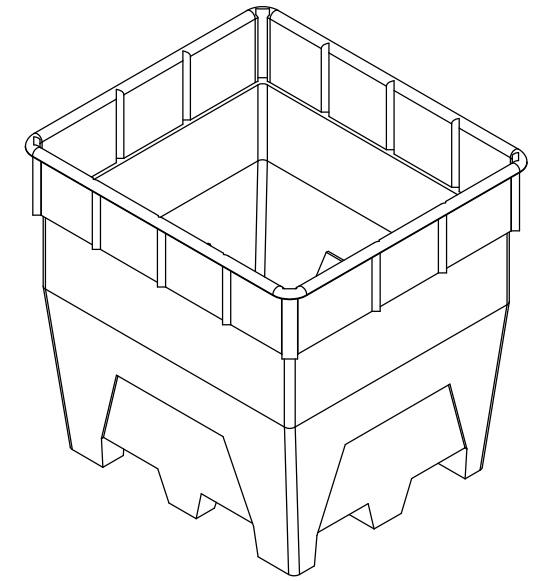
REVISIONS				
ZONE	REV.	DESCRIPTION	DATE	APPROVED



FRONT ELEVATION



END ELEVATION



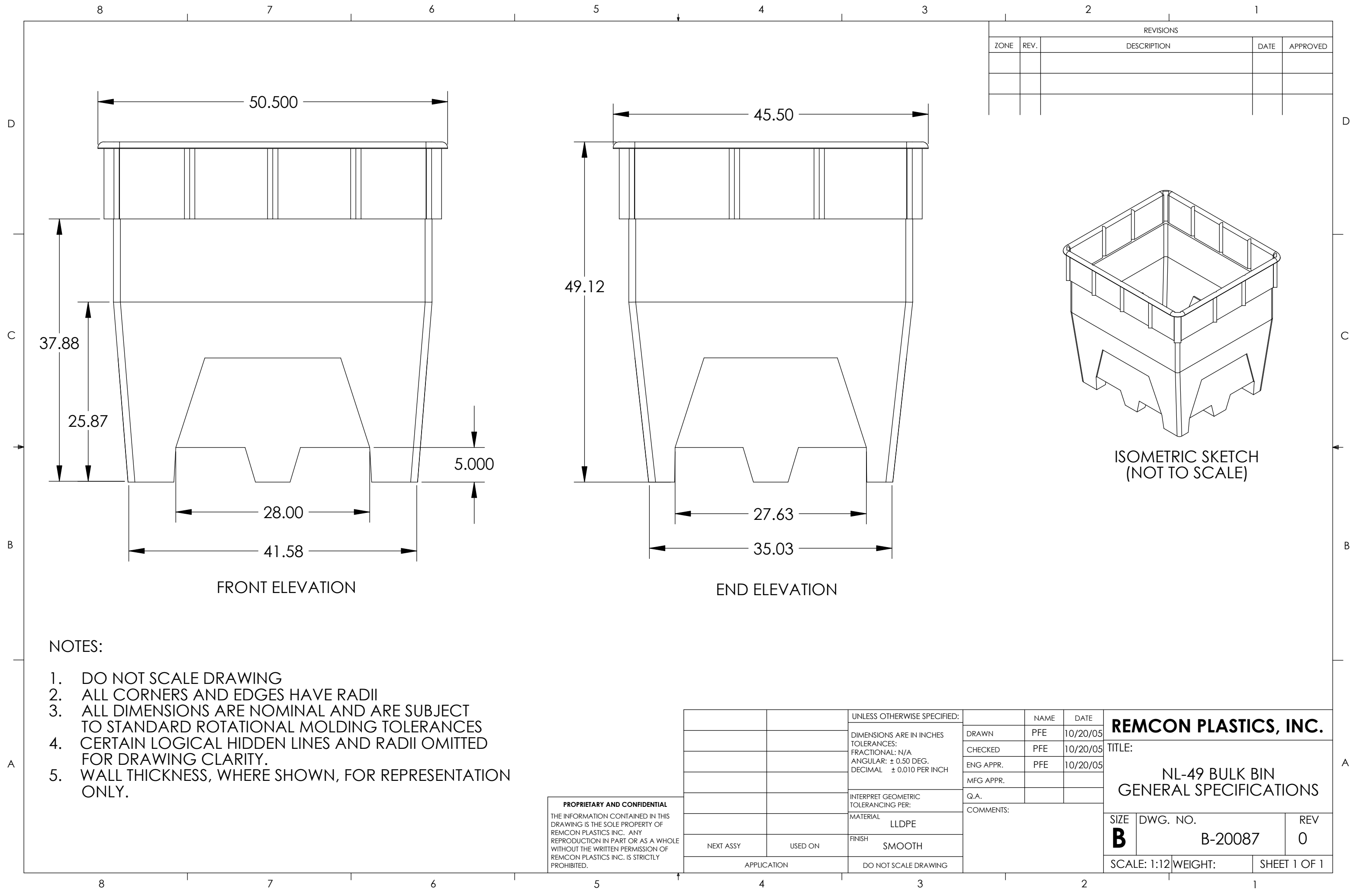
ISOMETRIC SKETCH (NOT TO SCALE)

NOTES:

- DO NOT SCALE DRAWING
- ALL CORNERS AND EDGES HAVE RADII
- ALL DIMENSIONS ARE NOMINAL AND ARE SUBJECT TO STANDARD ROTATIONAL MOLDING TOLERANCES
- CERTAIN LOGICAL HIDDEN LINES AND RADII OMITTED FOR DRAWING CLARITY.
- WALL THICKNESS, WHERE SHOWN, FOR REPRESENTATION ONLY.

PROPRIETARY AND CONFIDENTIAL
 THE INFORMATION CONTAINED IN THIS DRAWING IS THE SOLE PROPERTY OF REMCON PLASTICS INC. ANY REPRODUCTION IN PART OR AS A WHOLE WITHOUT THE WRITTEN PERMISSION OF REMCON PLASTICS INC. IS STRICTLY PROHIBITED.

UNLESS OTHERWISE SPECIFIED:		NAME	DATE	REMCON PLASTICS, INC. TITLE: NL-49 BULK BIN GENERAL SPECIFICATIONS	
DIMENSIONS ARE IN INCHES		DRAWN	PFE		10/20/05
TOLERANCES:		CHECKED	PFE		10/20/05
FRACTIONAL: N/A		ENG APPR.	PFE		10/20/05
ANGULAR: ± 0.50 DEG.		MFG APPR.			
DECIMAL: ± 0.010 PER INCH		Q.A.			
INTERPRET GEOMETRIC TOLERANCING PER:		COMMENTS:			
MATERIAL		LLDPE		SIZE	
FINISH		SMOOTH		DWG. NO.	
NEXT ASSY	USED ON			REV	
APPLICATION		DO NOT SCALE DRAWING		B	
				B-20087	
				0	
		SCALE: 1:12		WEIGHT:	
				SHEET 1 OF 1	



8

7

6

5

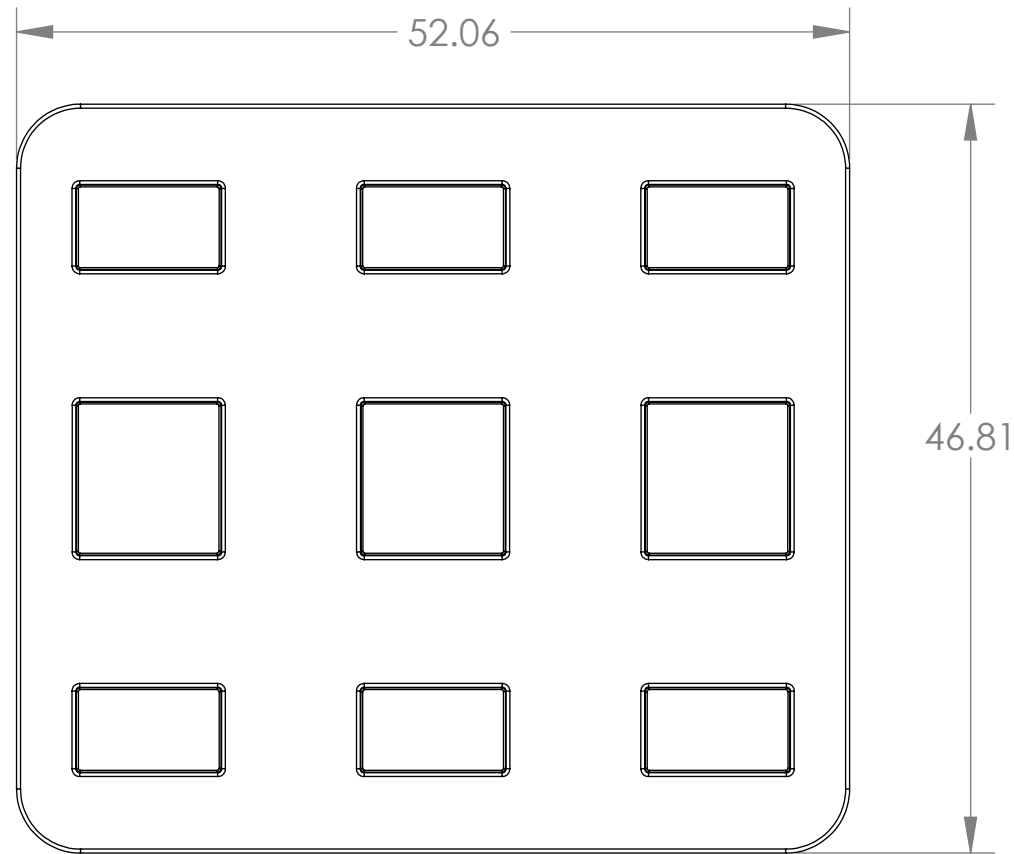
4

3

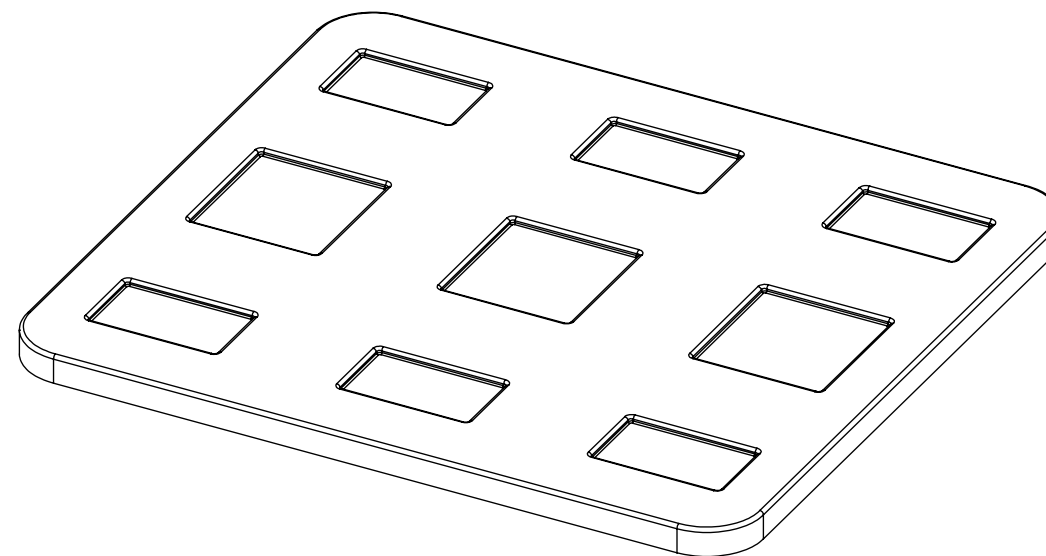
2

1

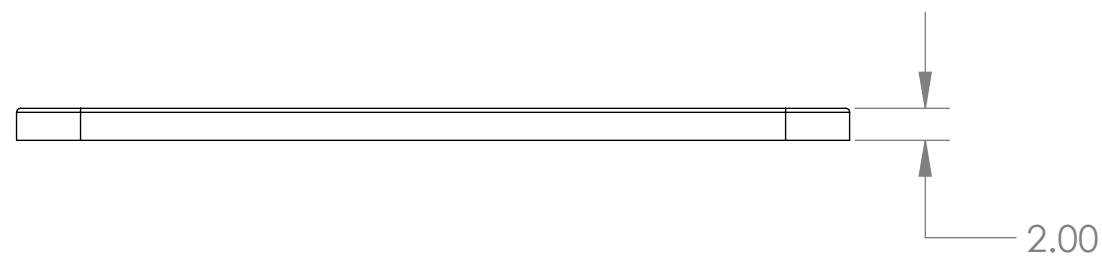
REVISIONS				
ZONE	REV.	DESCRIPTION	DATE	APPROVED



TOP VIEW



ISOMETRIC SKETCH



FRONT ELEVATION

NOTES:

1. DO NOT SCALE DRAWING
2. ALL CORNERS AND EDGES HAVE RADII
3. ALL DIMENSIONS ARE NOMINAL AND ARE SUBJECT TO STANDARD ROTATIONAL MOLDING TOLERANCES
4. CERTAIN LOGICAL HIDDEN LINES AND RADII OMITTED FOR DRAWING CLARITY.
5. WALL THICKNESS, WHERE SHOWN, FOR REPRESENTATION ONLY.

PROPRIETARY AND CONFIDENTIAL
 THE INFORMATION CONTAINED IN THIS DRAWING IS THE SOLE PROPERTY OF REMCON PLASTICS INC. ANY REPRODUCTION IN PART OR AS A WHOLE WITHOUT THE WRITTEN PERMISSION OF REMCON PLASTICS INC. IS STRICTLY PROHIBITED.

UNLESS OTHERWISE SPECIFIED:		NAME	DATE	REMCON PLASTICS, INC. TITLE: NL-49 BULK BIN GENERAL SPECIFICATIONS SIZE B DWG. NO. B-20088 REV 0 SCALE: 1:12 WEIGHT: SHEET 1 OF 1
DIMENSIONS ARE IN INCHES		DRAWN	PFE 10/20/05	
TOLERANCES:		CHECKED	PFE 10/20/05	
FRACTIONAL: N/A		ENG APPR.	PFE 10/20/05	
ANGULAR: ± 0.50 DEG.		MFG APPR.		
DECIMAL: ± 0.010 PER INCH		Q.A.		
INTERPRET GEOMETRIC TOLERANCING PER:		COMMENTS:		
MATERIAL LLDPE				
FINISH SMOOTH				
NEXT ASSY	USED ON			
APPLICATION		DO NOT SCALE DRAWING		

8

7

6

5

4

3

2

1