

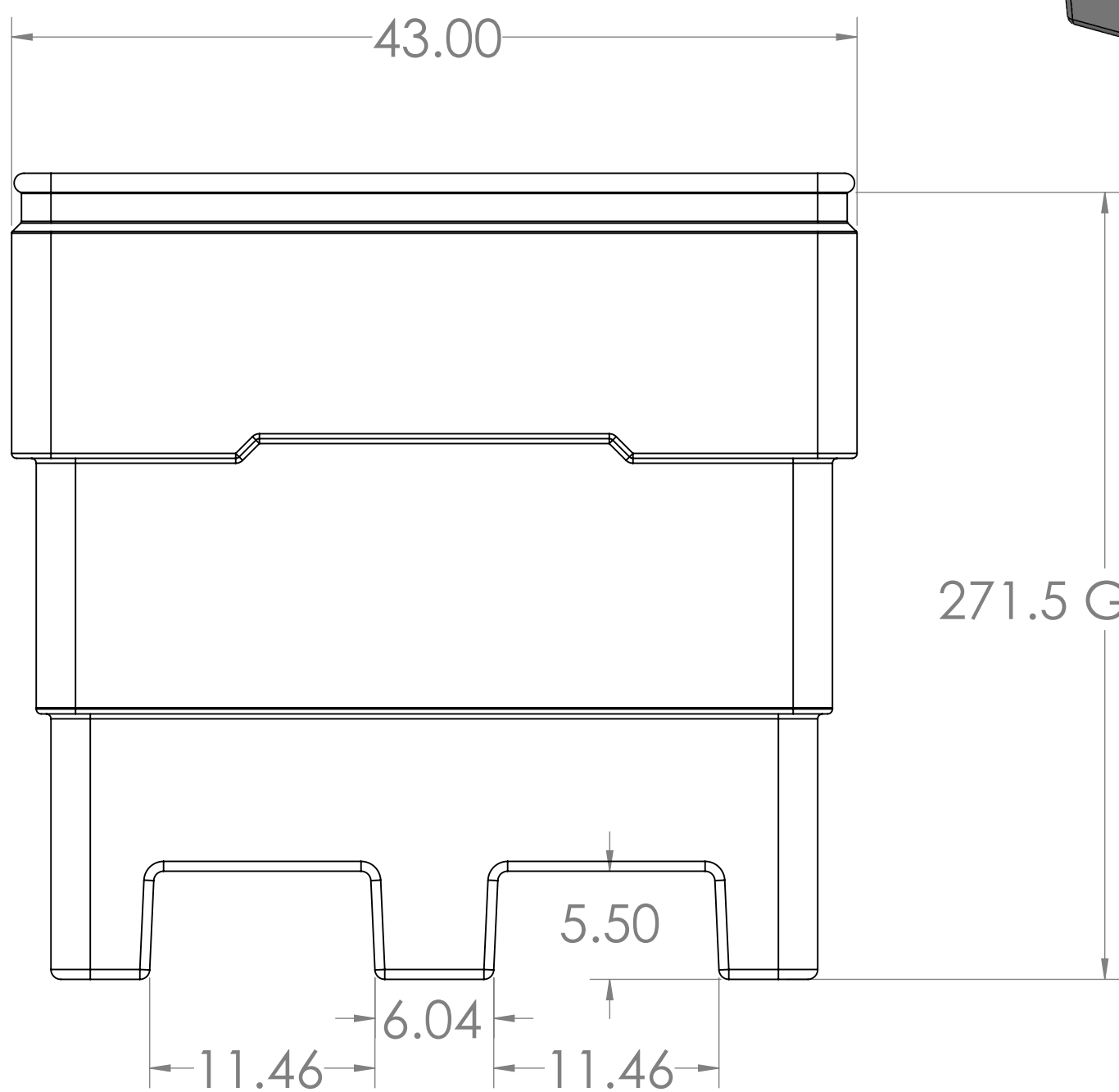
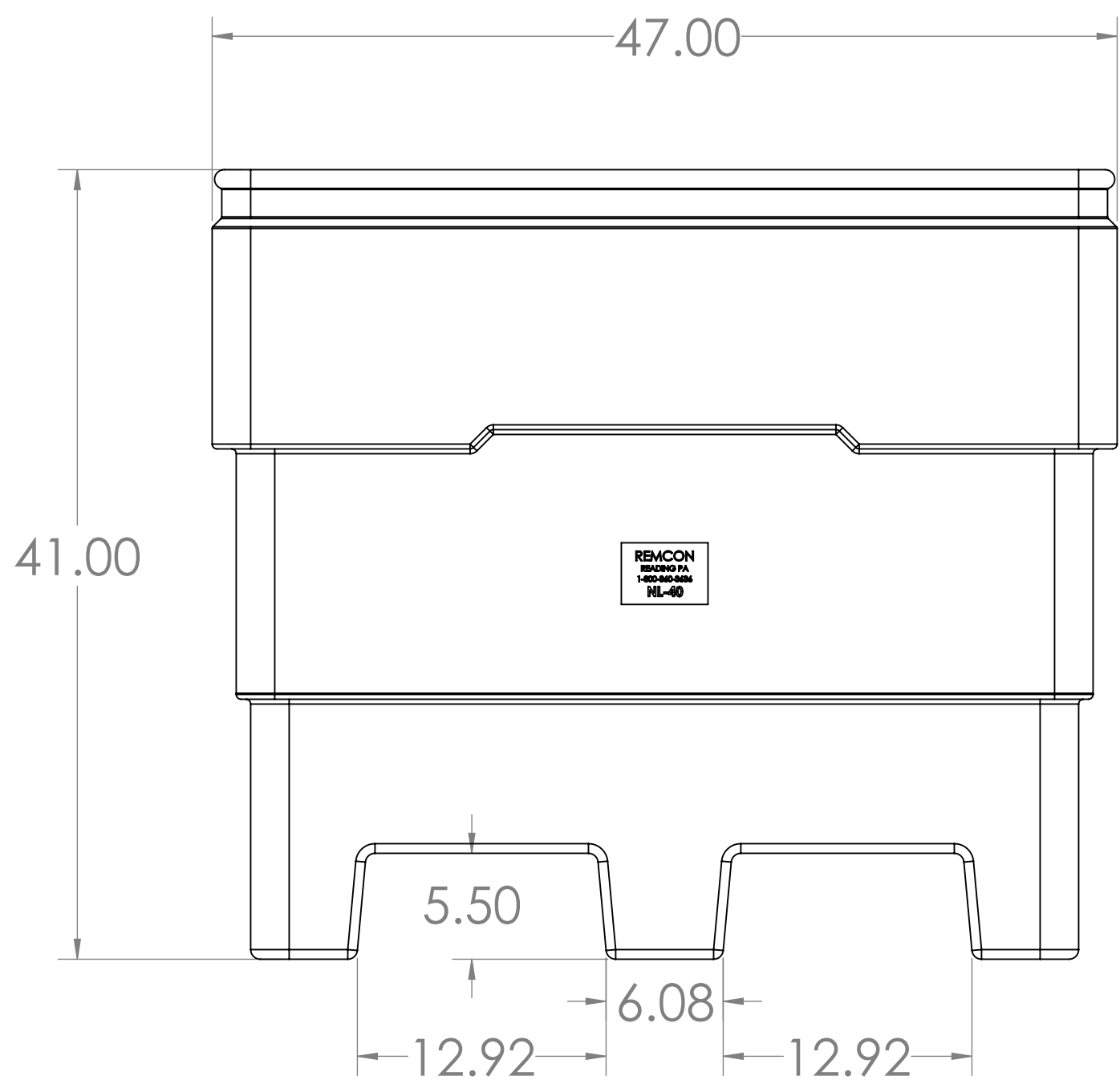
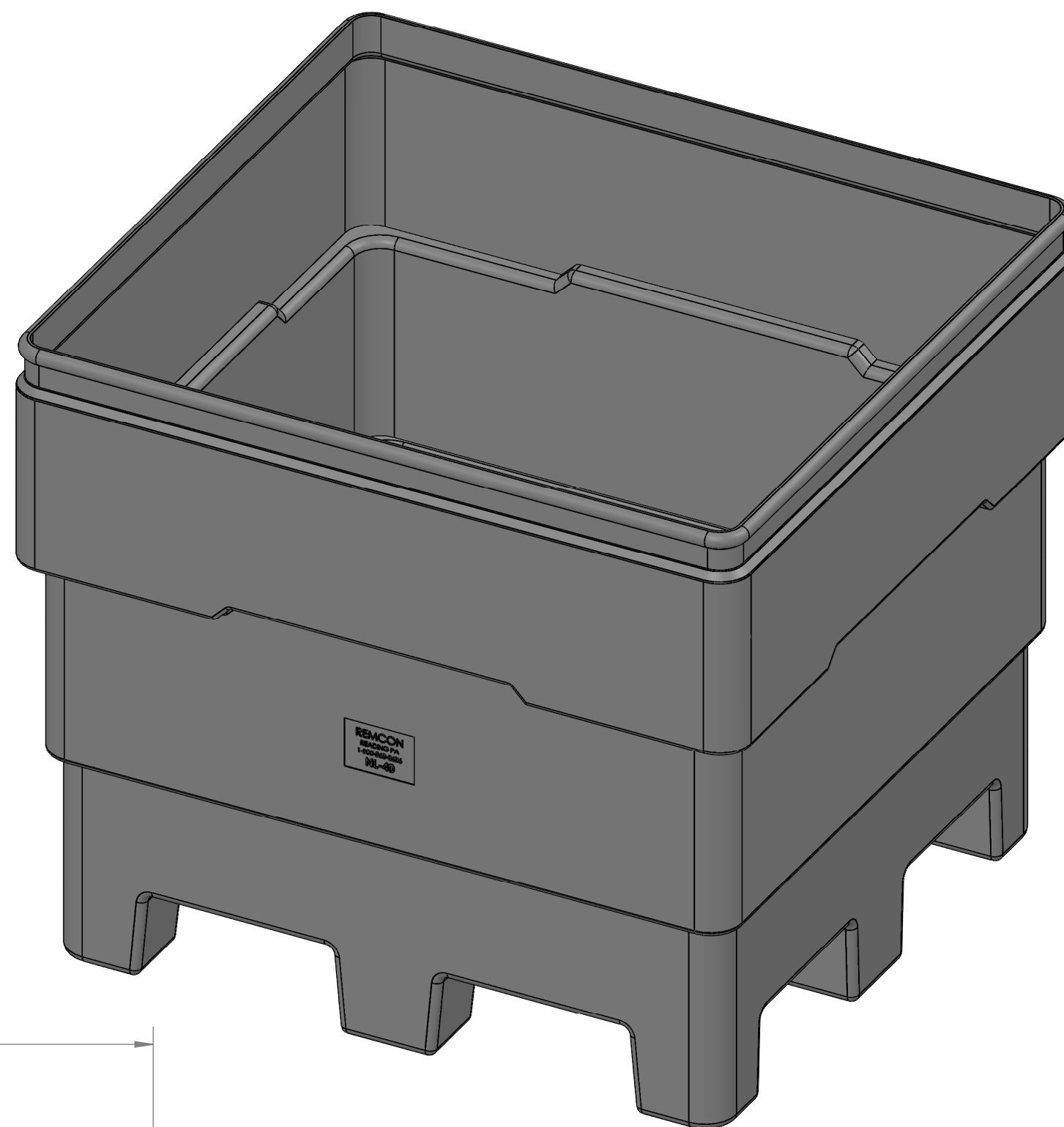
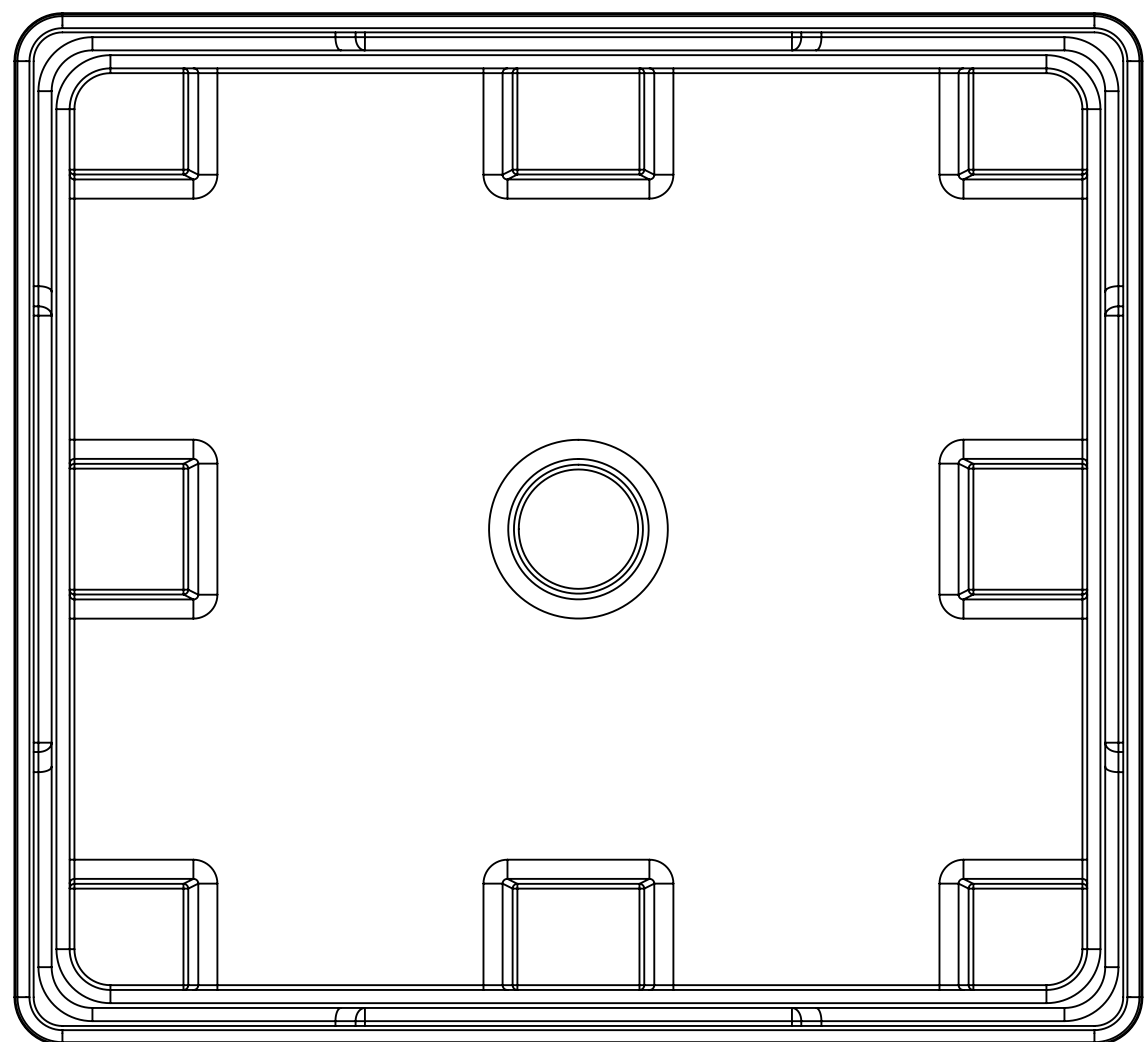
4

3

2

1

NL 40 Bin



PROPRIETARY AND CONFIDENTIAL
 THE INFORMATION CONTAINED IN THIS DRAWING IS THE SOLE PROPERTY OF REMCON PLASTICS, INC. ANY REPRODUCTION IN PART OR AS A WHOLE WITHOUT THE WRITTEN PERMISSION OF REMCON PLASTICS, INC IS PROHIBITED.

UNLESS OTHERWISE SPECIFIED:
 DIMENSIONS ARE IN INCHES
 TOLERANCES:
 DECIMAL +/-0.010 IN/IN
 FRACTIONS N/A
 ANGLES +/-1°

MATERIAL
 FINISH
 DO NOT SCALE DRAWING

NAME
 DATE
 TITLE:
 DRAWN BY: BenS 01/06/2020
 APPROVED BY:

WEIGHT:
 SCALE 1:8

REMCON 208 Chestnut Street
 PLASTICS, INCORPORATED Reading Pa, 19602
 DWG. NO.
 SIZE **C** SHEET 1 OF 1 REV

4

3

2

1

D

D

C

C

B

B

A

A