

**STANDARD ASSEMBLY UNIT INSTALLATION DATA:**

DESIGNED FOR DRY MATERIAL IN GRAVITY FLOW APPLICATIONS.

**CUSTOMER CONNECTION:** FLANGE TYPE CONNECTION

**BOLTS ATTACHING THROUGH TAPPED HOLES MUST NOT EXTEND INTO CONTROL RING ACTUATION SLOT**

**ACTUATION:** HAND LEVER ACTUATED WITH QUICK LOCK POSITIONS

**TEMPERATURE:** 150°F [66°C] CONTINUOUS SERVICE

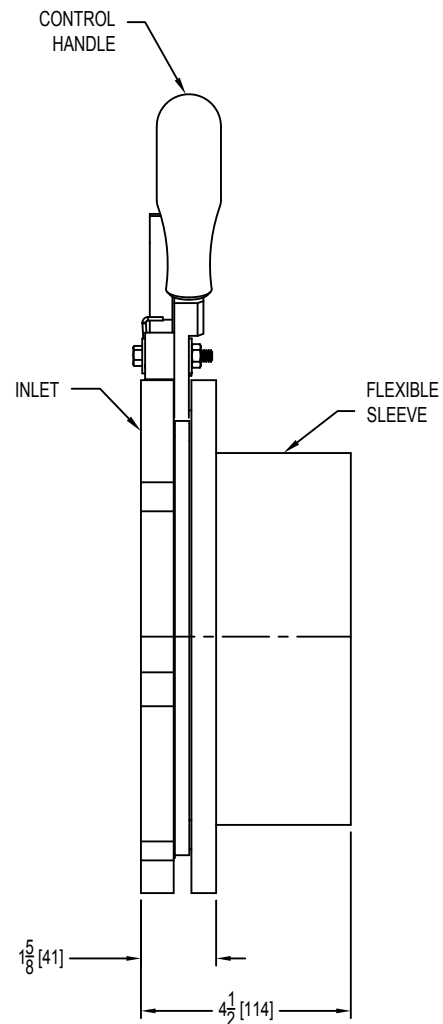
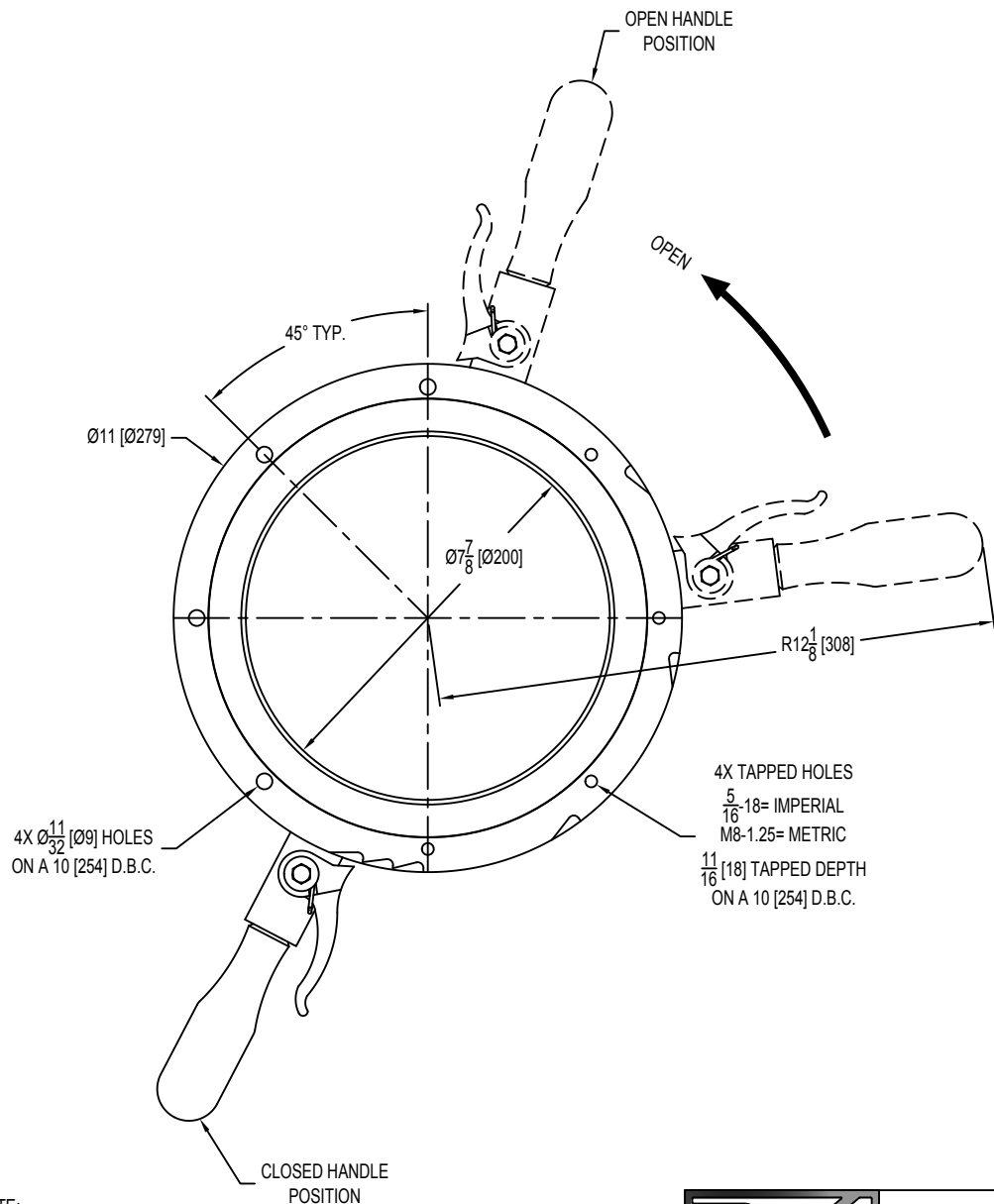
**MATERIAL CONTACT:**  
 (STANDARD) ALUMINUM  
 (UBS) 304 STAINLESS STEEL  
 (-SC) ALUMINUM BODY AND 304 STAINLESS STEEL MATERIAL CONTACT.  
 (-S-SC) ALUMINUM BODY AND 316L STAINLESS STEEL MATERIAL CONTACT.

**APPROX. GATE VALVE WEIGHT:**  
 (STANDARD) 7 LBS. [3 KG]  
 (UBS) 14 LBS. [6 KG]

**FLANGE GASKET:** 1/4" [6] MINIMUM SOFT FLANGE GASKET IS RECOMMENDED TO MINIMIZE DISTORTION FROM MATING FLANGE. IF GASKET IS NOT USED ON DISTORTED FLANGE, VALVE **WILL** BE PLACED IN BIND, AND SIGNIFICANTLY REDUCE PERFORMANCE, AND INCREASE FORCE REQUIRED TO PROPERLY ACTUATE VALVE.

**TIGHTEN FLANGE BOLTS TO PARTIALLY COMPRESS GASKETS!**

**LINES AND EQUIPMENT ATTACHED TO THE VALVE MUST BE SUPPORTED.**



NOTE:  
 1. UB08= IMPERIAL  
 UB200= METRIC



**Salina Vortex Corporation**  
 1725 Vortex Avenue - Salina, Kansas 67401 - USA  
 Email: vortex@vortexvalves.com - Web: vortexvalves.com  
 North America: Tel: +1 785 825 7177 - Europe: Tel: +44 870 770 9861  
 Latin America: Tel: +1 785 309 2138 - Asia-Pacific: Tel: +86 (0) 21 5835 0100

Drawing Name:  
 UB08QL [UB200]

ACCESSORIES:  
 ACCESSORIES:  
 ACCESSORIES:  
 ACCESSORIES:

ATEX RELATED: No

DRAWING BY: DDF  
 DRAWING DATE: 12/06/03

APPROVED BY: PED  
 APP DATE: 06/04/13

PAGE: 1 OF 1

EVERY EFFORT IS MADE TO ENSURE THAT THIS DATA IS CURRENT. OUR PRODUCTS ARE SUBJECT TO ONGOING DEVELOPMENT AND ACCORDINGLY, WE RESERVE THE RIGHT TO CHANGE SPECIFICATIONS AND DETAILS WITHOUT PRIOR NOTICE.

PROPRIETARY AND CONFIDENTIAL  
 THE INFORMATION CONTAINED IN THIS DRAWING IS THE SOLE PROPERTY OF SALINA VORTEX CORPORATION. ANY REPRODUCTION IN PART OR AS A WHOLE WITHOUT THE WRITTEN PERMISSION OF SALINA VORTEX CORPORATION IS PROHIBITED.

THIRD ANGLE PROJECTION  
 ALL UNITS ARE IN INCHES (mm)

Tolerances Unless Otherwise Specified  
 Decimals: X = ± 0.1 Angles: ± 0.5  
 XXX = ± 0.01 Fractions: ± 1/8  
 XXXX = ± 0.005

REV	DESCRIPTION	DATE	REV BY	APP BY
1	ADDED TAP HOLE DEPTH TO THE THREADED HOLE CALLOUT	01-21-20	CKF	MGP