

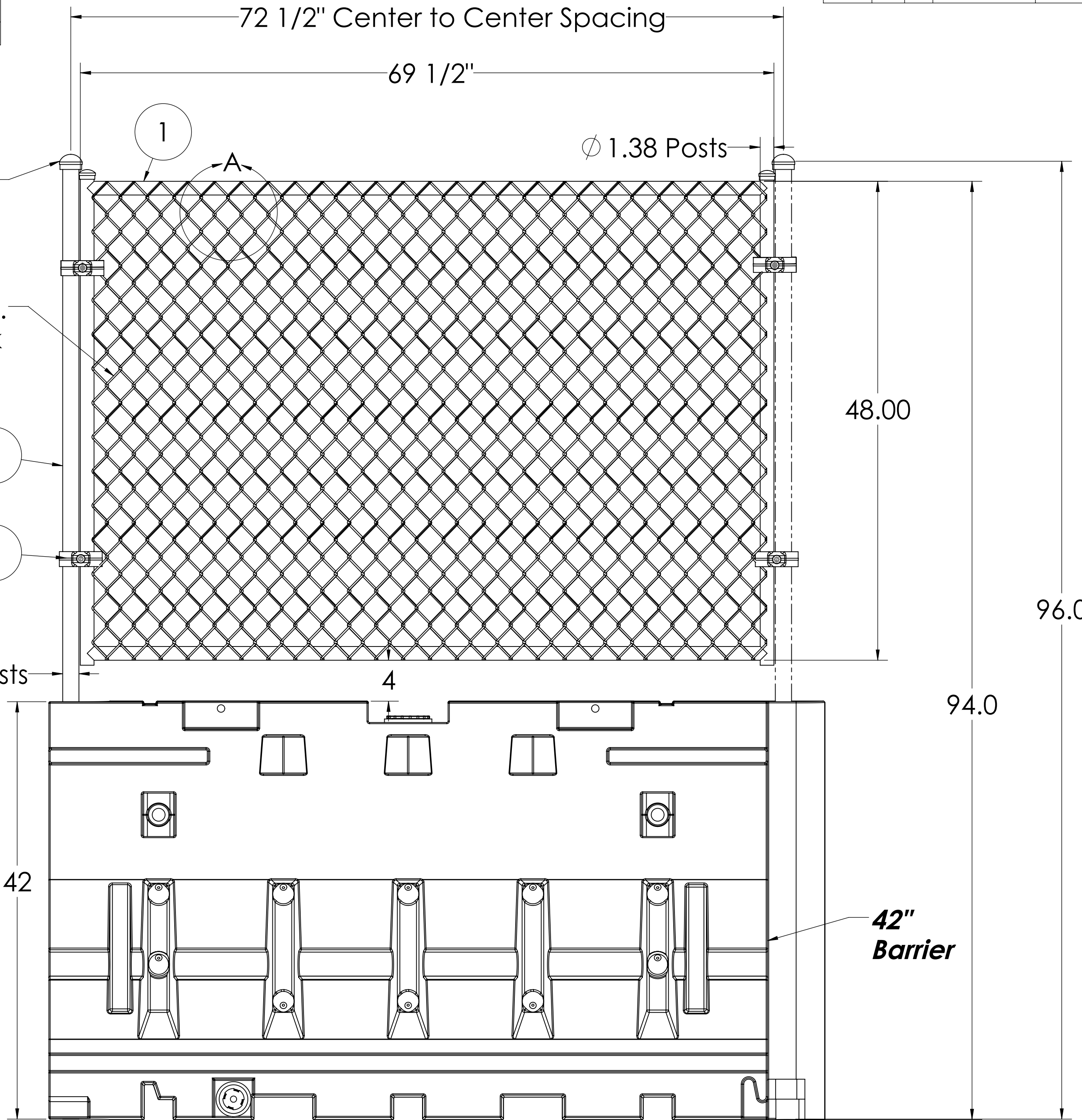
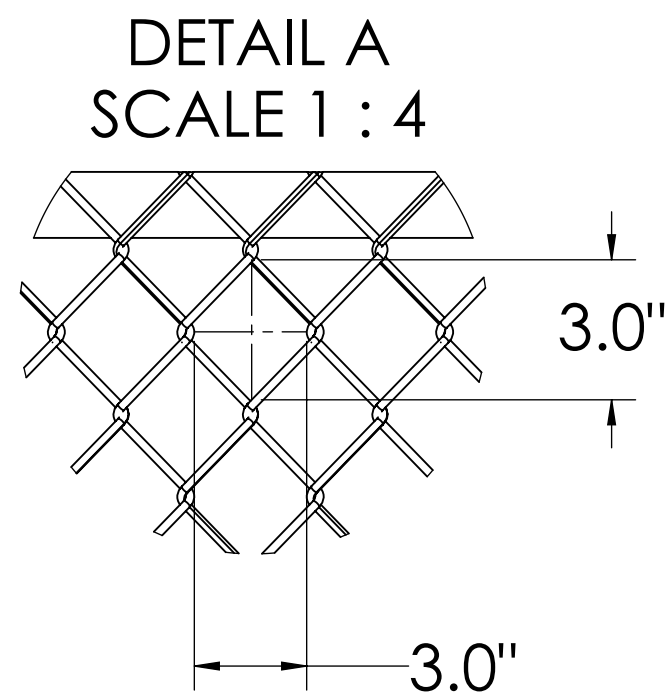
ITEM NO.	PART NUMBER	DESCRIPTION	QTY.
1	059990001100113	Chain Link Fence # SSGSTP36	1
2	059990001100108	1.63 ϕ Post x 96" Tall	1
3	059990001100107	Extra Long Saddle Clamp	4

REVISIONS					
ERN/ECN	ZONE	REV.	DESCRIPTION	DATE	APPROVED
0474		A	Release Drawing	4/12/2022	BRS

NO Post Caps
Unless Requested

11 1/2" Ga.
Chain Link
Wiew

Note: 1 Post Per Assembly



PROPRIETARY AND CONFIDENTIAL
THE INFORMATION CONTAINED IN THIS DRAWING IS THE SOLE PROPERTY OF REMCON PLASTICS, INC. ANY REPRODUCTION IN PART OR AS A WHOLE WITHOUT THE WRITTEN PERMISSION OF REMCON PLASTICS, INC IS PROHIBITED.

UNLESS OTHERWISE SPECIFIED:
DIMENSIONS ARE IN INCHES
TOLERANCES:
DECIMAL +/-0.010 IN/IN
FRACTIONS N/A
ANGLES +/-1°

MATERIAL
FINISH
DO NOT SCALE DRAWING

DRAWN BY:
APPROVED BY:

NAME: BRS
DATE: 4/12/2022

TITLE:
**Remcon 42" Barrier
w/ Fence Topper 72.5"**
WEIGHT:
SCALE 1:8

REMCON PLASTICS, INCORPORATED
208 Chestnut Street
Reading Pa, 19602
DWG. NO:
059990001100112-42
SIZE **C** SHEET 1 OF 1 REV **A**