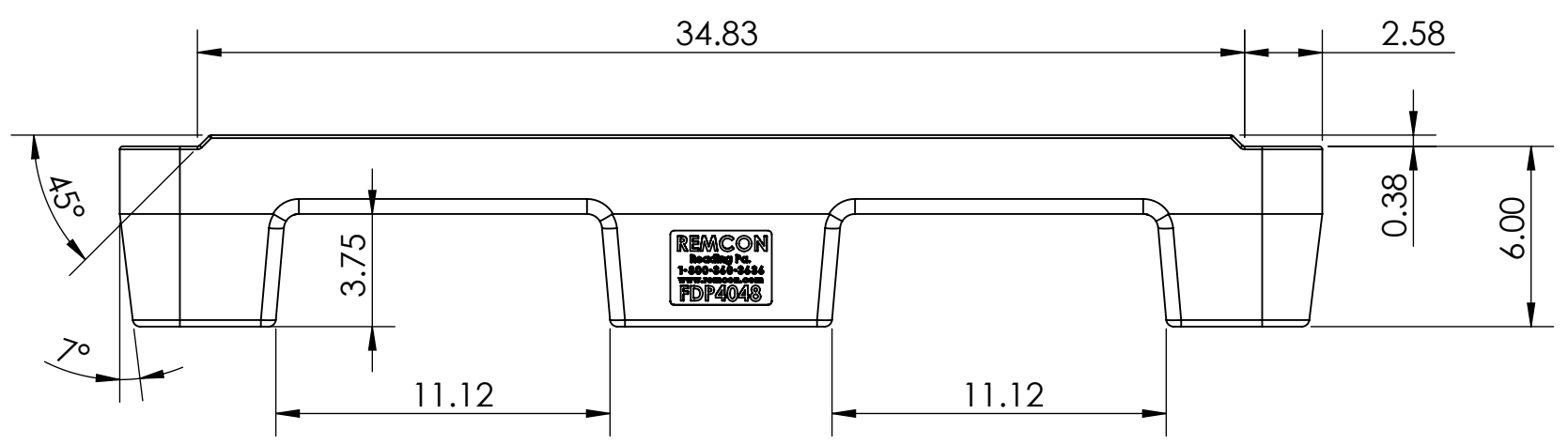
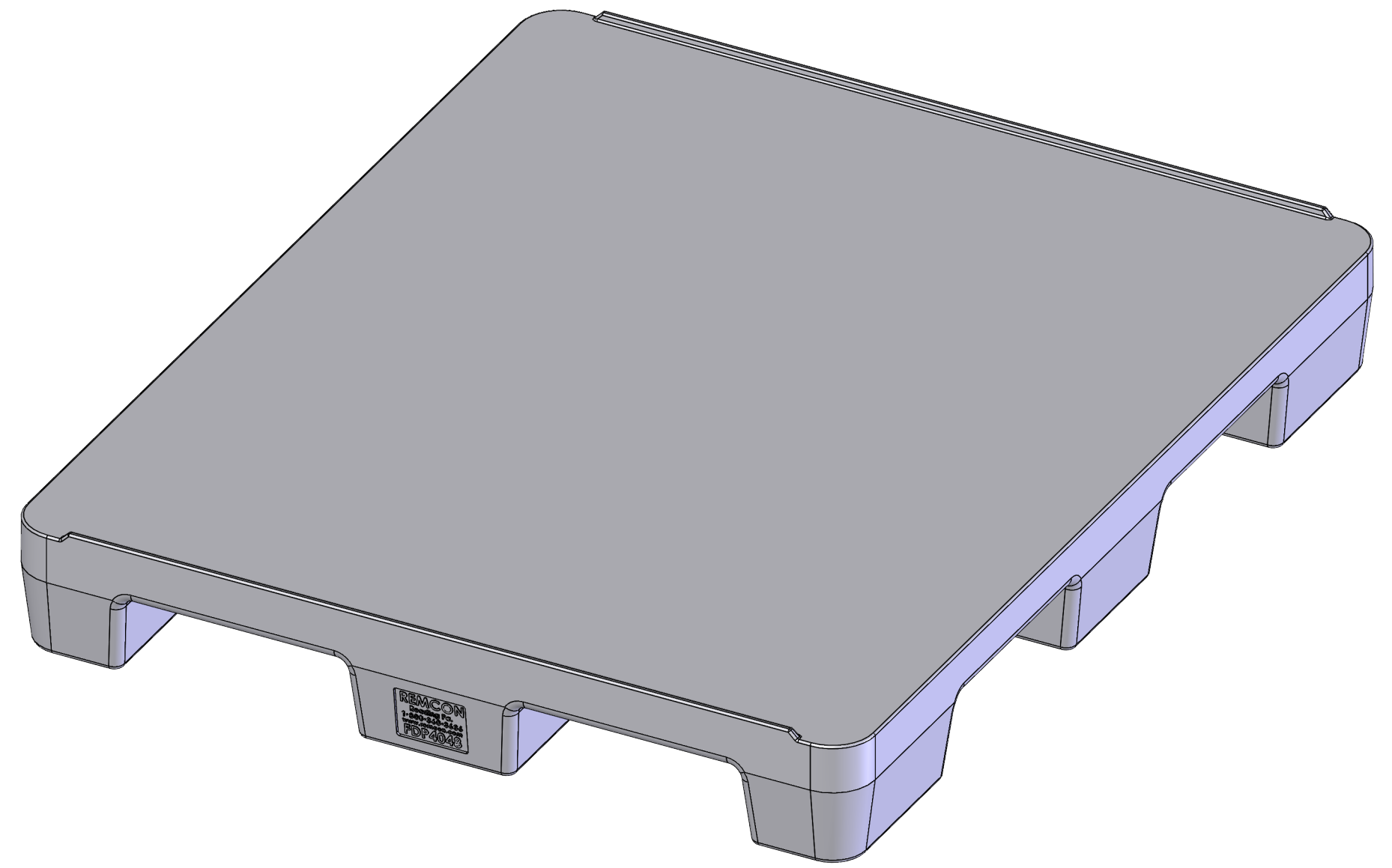
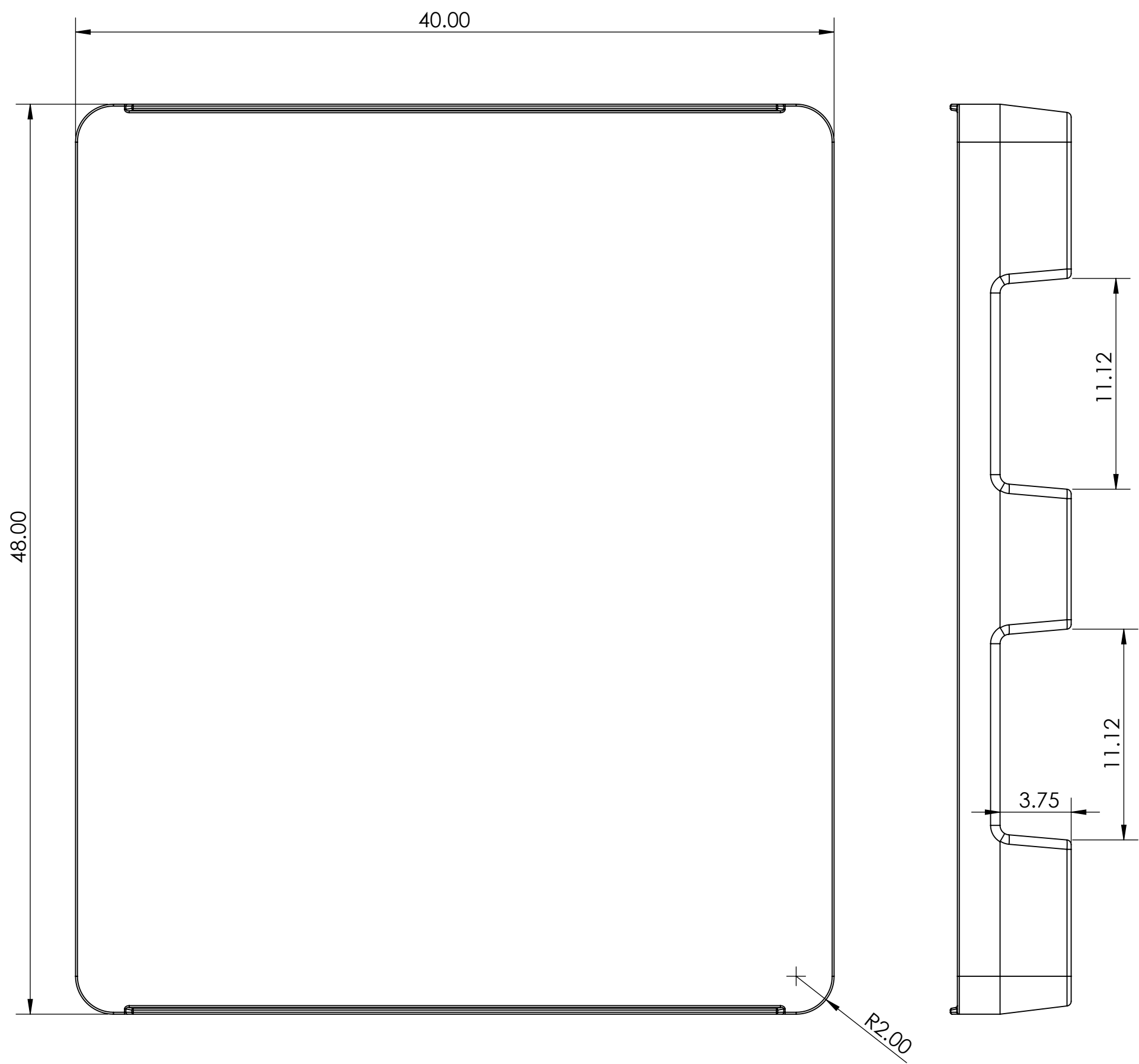


REVISIONS					
ERN/ECN	ZONE	REV.	DESCRIPTION	DATE	APPROVED
		A	Drawing Created	7/19/2023	



COMMENTS: - PROPRIETARY AND CONFIDENTIAL THE INFORMATION CONTAINED IN THIS DRAWING IS THE SOLE PROPERTY OF REMCON PLASTICS, INC. ANY REPRODUCTION IN PART OR AS A WHOLE WITHOUT THE WRITTEN PERMISSION OF REMCON PLASTICS, INC IS PROHIBITED. Address: Remcon Plastics Inc. 208 Chestnut Street, Reading Pa. 19602	PROJECT # -	MATERIAL	TITLE:	 DWG. NO. 010114048063XXX SIZE C SHEET 1 OF 1 REV			
	UNLESS OTHERWISE SPECIFIED:	FINISH	FDP Pallet 40 x 48 w Lip on 40" Sides				
	DIMENSIONS ARE IN INCHES TOLERANCES: FRACTIONAL ±1/64 ANGULAR: ±1/2 DEG TWO PLACE DECIMAL ±.01 THREE PLACE DECIMAL ±.005 DO NOT SCALE DRAWING	<table border="1"> <tr> <td>NAME</td> <td>DATE</td> </tr> <tr> <td>BRS</td> <td>7/19/23</td> </tr> </table>	NAME		DATE	BRS	7/19/23
NAME	DATE						
BRS	7/19/23						

4

3

2

1

D

D

C

C

B

B

A

A

4

3

2

1