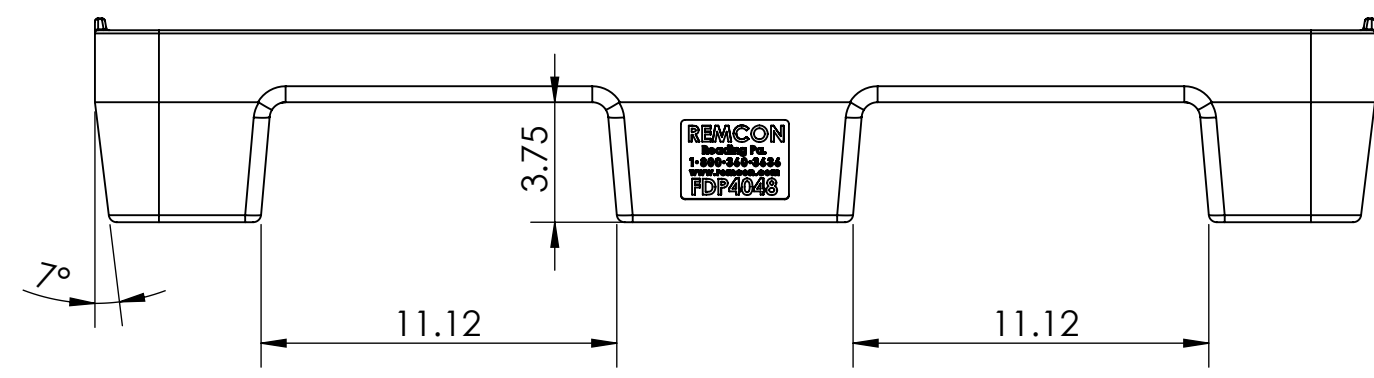
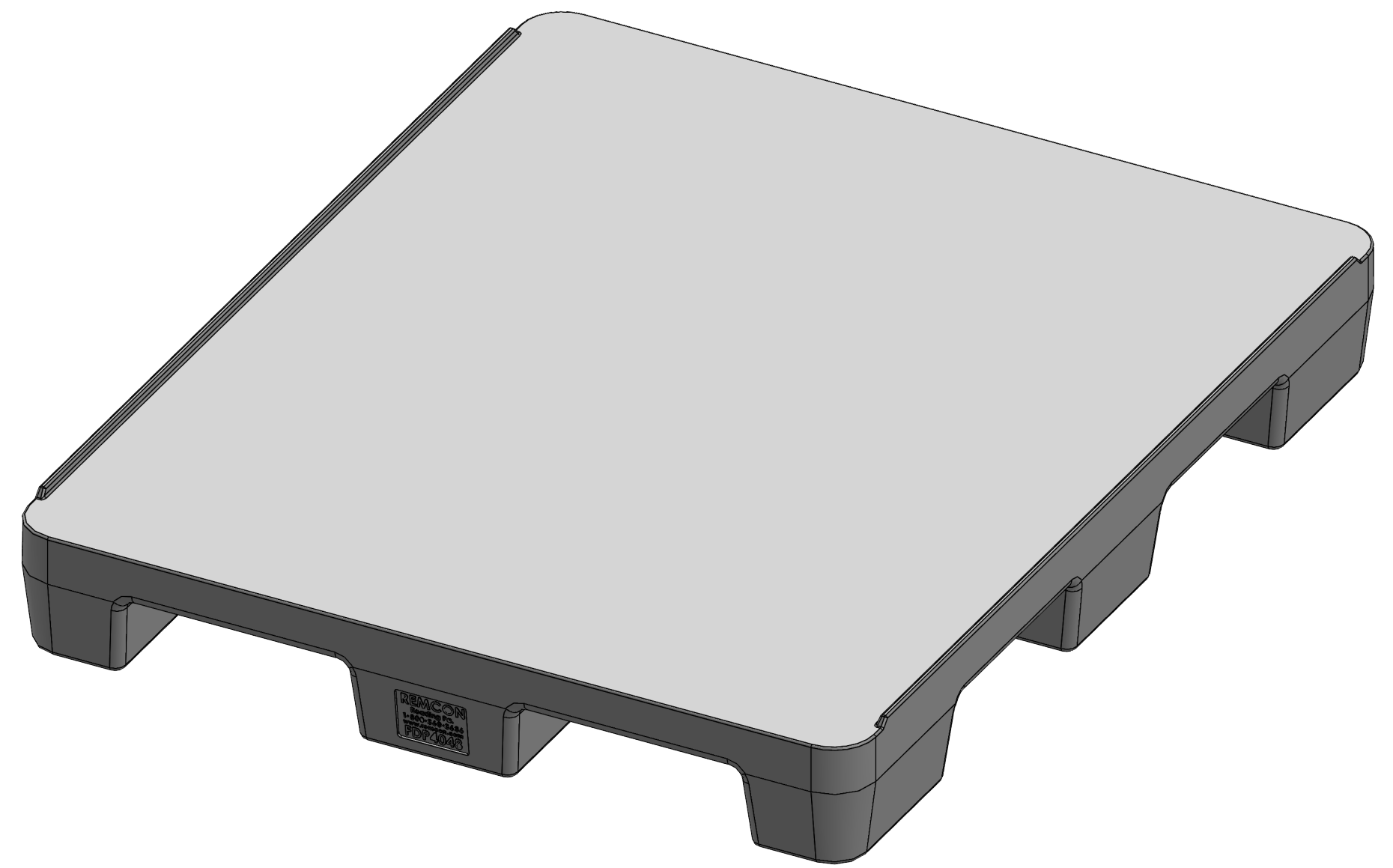
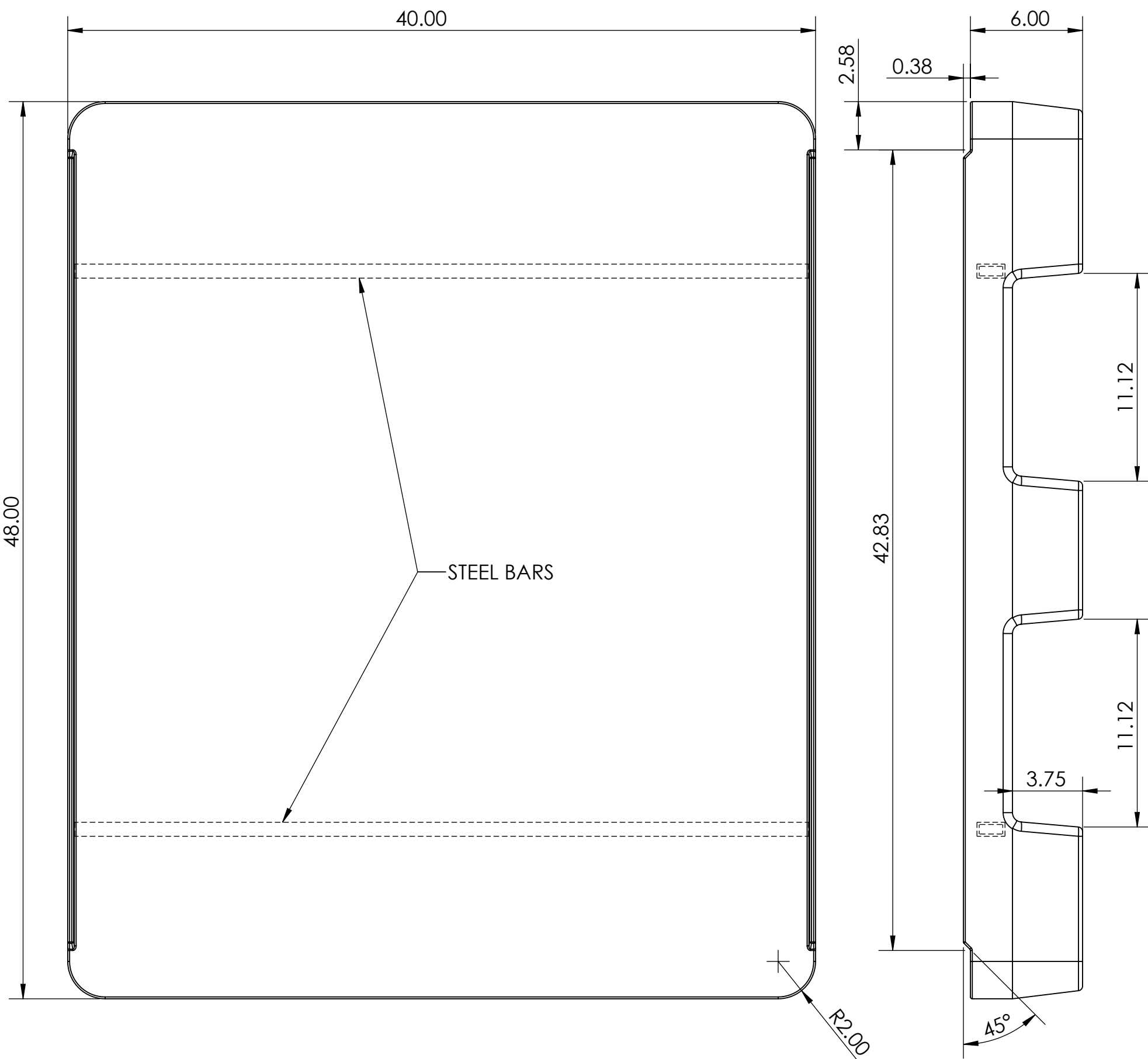


REVISIONS					
ERN/ECN	ZONE	REV.	DESCRIPTION	DATE	APPROVED
		A	Drawing Created	7/19/2023	



COMMENTS: -
PROPRIETARY AND CONFIDENTIAL
 THE INFORMATION CONTAINED IN THIS DRAWING IS THE SOLE PROPERTY OF REMCON PLASTICS, INC. ANY REPRODUCTION IN PART OR AS A WHOLE WITHOUT THE WRITTEN PERMISSION OF REMCON PLASTICS, INC IS PROHIBITED.
 Address: Remcon Plastics Inc.
 208 Chestnut Street, Reading Pa. 19602

PROJECT # -
 UNLESS OTHERWISE SPECIFIED:
 DIMENSIONS ARE IN INCHES
 TOLERANCES:
 FRACTIONAL ±1/64
 ANGULAR: ±1/2 DEG
 TWO PLACE DECIMAL ±.01
 THREE PLACE DECIMAL ±.005
 DO NOT SCALE DRAWING

MATERIAL
 FINISH
 NAME DATE
 DRAWN BY: BRS 7/19/2023
 APPROVED BY:

TITLE:
**FDP Pallet
 40 x 48 w Lip
 on 48" Sides,
 Steel Reinforced**



DWG. NO. 010114048065XXX
 SIZE C SHEET 1 OF 1 REV